

Owners Manual

AZ-1 Portable Hand Controls



Colours 'N Motion, Inc.

Table of Contents

	Page
About the AZ-1 Portable Hand control	3
AZ-1 Features	3
Package Contents	4
Safety Information	5
Operator type and usage	6
Installation Instructions	6-8
Removing Instructions	8
Operation	8-9
Accessories	10
Maintenance and Service Instructions	10
100% Money Back Guarantee	10
Warranty	10
Safety Information	10
Warning	11

About the AZ-1 Portable Hand control

When you travel away from your standard car with permanent hand controls you might require a portable set of hand controls. For added convenience, If you are looking for a portable hand control system to use when traveling abroad then the AZ-1 might be what you are looking for. The AZ-1 portable hand control is made for use on automatic vehicles for disabled drivers with a high amount of hand control and function. If you are able to use the pedals on a vehicle then these portable hand controls are not recommended for use. It is essential that the drivers have strong grip and finger function on both hands to operate the AZ-1 portable hand control. If you are unable to operate or have limited function this portable hand control is not for you!! The AZ-1 is for a portable application for periodic use. These controls are not for regular everyday use.

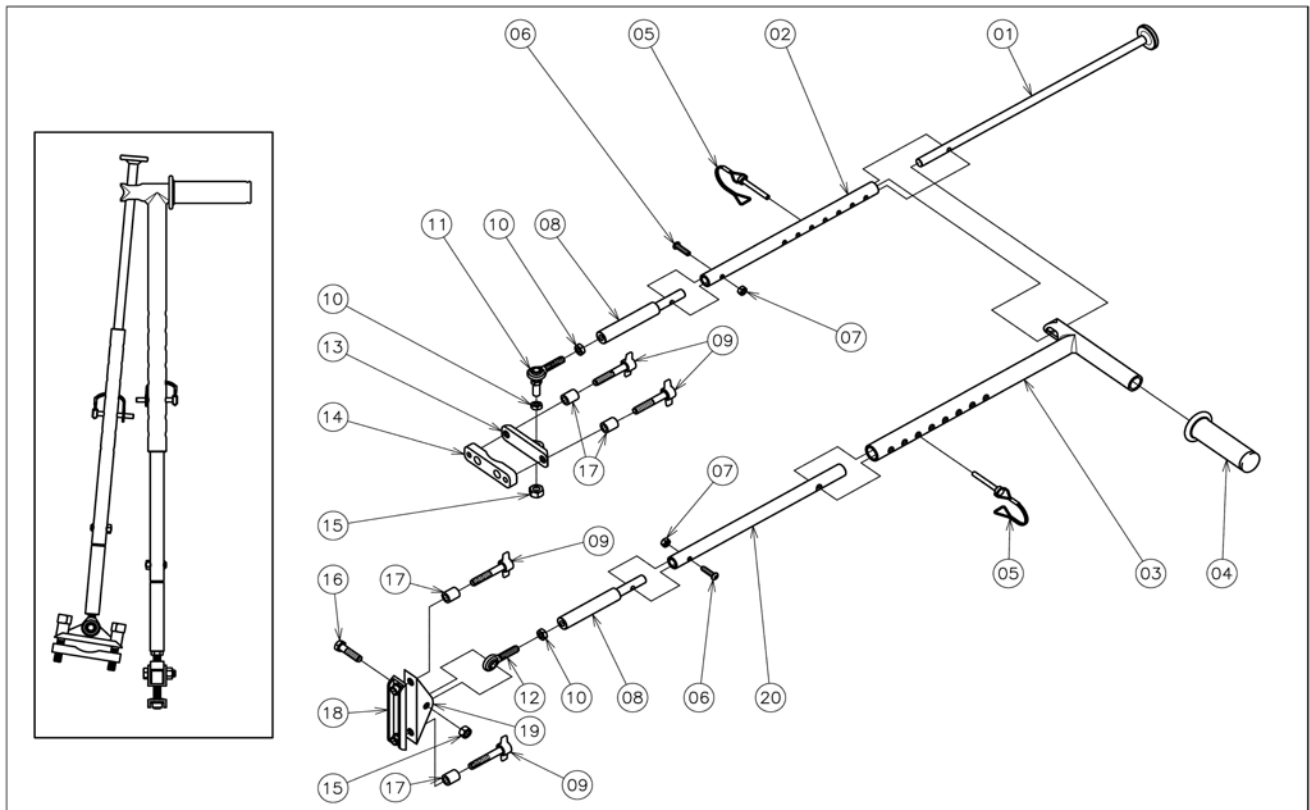
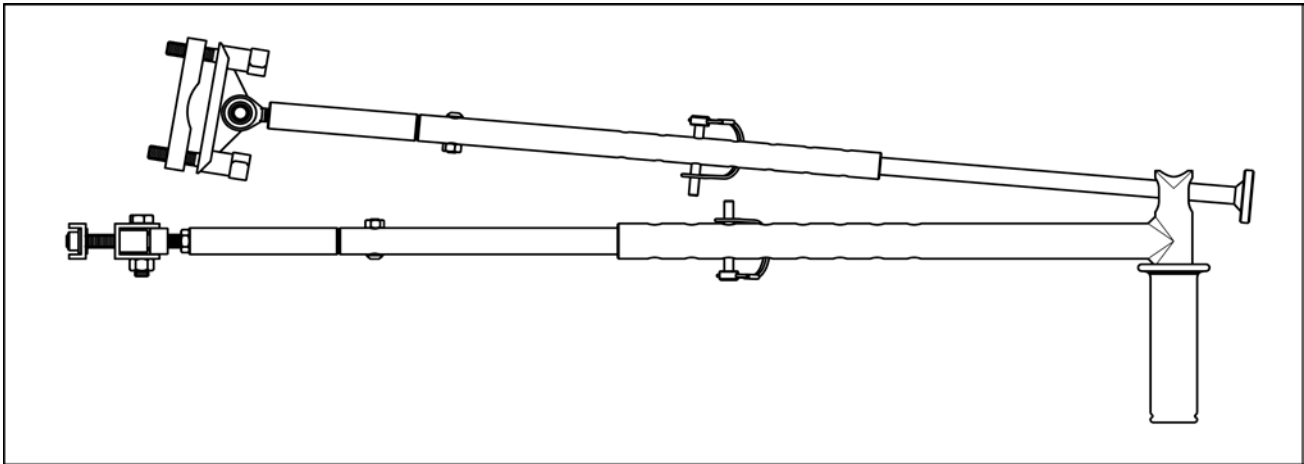
AZ-1 Features

The AZ-1 is made to ease the lifestyle of the consumer. Some important features are as follows.

- Strong & Lightweight – material is Aerospace Alum. 6061 T-6
- Adjustable Length – the length can be adjusted to suit each users needs
- Collapsible Design – the controls are made to collapse for storage when traveling.
- Professional Grip - the handgrip is a professional grip that won't heat up when your car gets hot.
- Easy Installation - the AZ-1 is easy to install and remove on most vehicles.

Package Contents

Package contents will include the complete assembled portable hand control system. Note: when portable hand control is shipped it is adjusted to it narrowest adjustment. It is essential that you follow the assembly instructions that suit each individual driver. Contents are as follows:



#	Discription	QTY
01	Accelerator	1
02	Telescope Tube	1
03	Handle	1
04	Grip	1
05	Pin	2
06	1/4"-20x 1" BHCS	2
07	1/4"-20 Nylock Nut	2
08	Joint	2
09	Thumb Screw(3/8"-16x 2 1/4")	4
10	Thin Hex Nuts 3/8"-24	3

#	Discription	QTY
11	Ball Joint Linkages 3/8"-24	1
12	Ball Joint Rod Ends 3/8"-24	1
13	Cramp 1	1
14	Cramp 2	1
15	3/8"-24 Nylock Nut	2
16	3/8"-24x 1 1/2" HHCS	1
17	SPACER	4
18	Cramp 4	1
19	Cramp 3	1
20	Inner Tube	1

Safety Information

WARNING Safety is of the utmost importance when installing and operating with portable hand controls. If you are unsure about the installation or operating of the vehicle with portable hand control DO NOT OPERATE THE VEHICLE.

AZ-1 Portable Hand Controls are only made for people with excellent hand function. If you do not have strong hands DO NOT OPERATE THE VEHICLE with the AZ-1 portable hand controls.

The AZ-1 is only recommended to be used on vehicles with an emergency brake that is accessible by hand. This is in the event that an emergency occurs and the AZ-1 fails and you must stop the vehicle with the vehicles emergency brake. Therefore when renting or operating a vehicle, be sure to verify that the car has a hand pull emergency brake. If the car does not have the hand pull emergency brake DO NOT OPERATE THE VEHICLE with the AZ-1 portable hand controls.

Your local DMV (Department of Motor Vehicle) might require that you receive testing to operate the portable hand controls. You must contact your local DMV to determine if it is required to receive approval to drive with the AZ-1 portable hand control system. In addition, you must have a valid drivers license to purchase and operate the AZ-1 portable hand controls.

When first using the AZ-1 portable hand control be sure to find a safe location to operate the vehicle. As when you first learn to drive a car it is imperative that a qualified member supervises the use of the hand control prior to your independent use. It is recommended that you visit a qualified driver training class in your local area to obtain a formal approval to use the AZ-1 portable hand control.

The adjustment of the AZ-1 is important for safe use. Each time you drive the vehicle you must check the nuts, bolts, pins and finger screws to verify that they are tightened correctly. If they are loose or appear to be insecure DO NOT OPERATE THE VEHICLE with the AZ-1 portable hand controls.

Always wear your seat belt when operating the AZ-1 portable hand controls.

Always follow the local, state and federal laws when operating the AZ-1 portable hand controls.

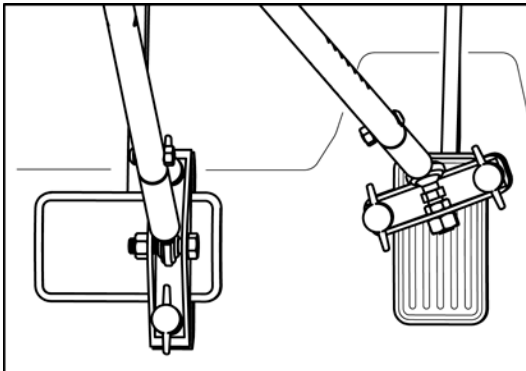
Operator type and usage

The AZ-1 is only produced for disabled drivers with strong hand function and good upper mobility. And the AZ-1 is for portable use. It is not recommended to use the AZ-1 for daily use while operating your everyday vehicle.

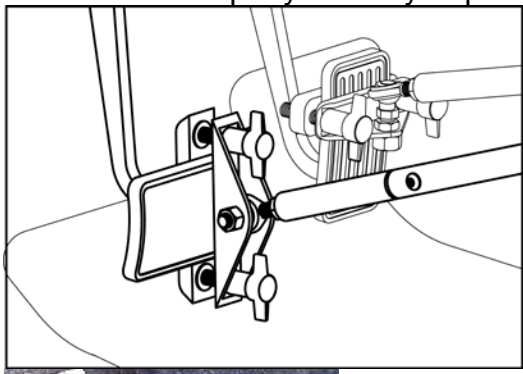
Installation Instructions

When installing the AZ-1 portable hand control take great care.

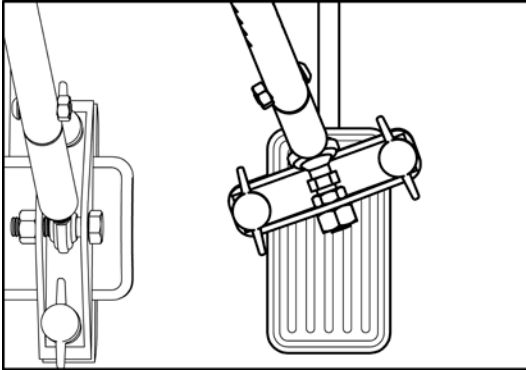
1. First verify that the vehicle you are driving has the following:
 - a. Automatic Transmission
 - b. Power brakes
 - c. Hand operated emergency brake
 - d. Adequate space for operator to use portable AZ-1 hand controls. Some drivers are overweight and vehicles have small driver compartments. It is essential that adequate space is required for a comfortable amount of hand use while operating the AZ-1 portable hand control system. If adequate space is not available **DO NOT OPERATE THE VEHICLE** with the AZ-1 portable hand controls.
2. First verify that the pedals are sufficient size to mount the clamps for the brake and accelerator. If the pedals are not large enough to mount the portable hand controls securely **DO NOT OPERATE THE VEHICLE** with the AZ-1 portable hand controls. Brake pedal must have a design that allows safe mounting of the AZ-1.



3. You should be able to slide the brake mount over the pedal in a vertical placement. Then tighten finger screws evenly and verify that the clamps are secure. Be sure that the AZ-1 portable hand control system doesn't interfere with anything that would compromise safety. If the AZ-1 cannot be adjusted to the proper length contact the company where you purchased and return for replacement



4. You should be able to slide the accelerator mount over the pedal in a horizontal or slightly vertical placement. It is important to assure that adequate clearance is available to operate the accelerator freely. Then tighten finger screws evenly and verify that the clamps are secure. Be sure that the AZ-1 portable hand control system doesn't interfere with anything that would compromise safety. If sufficient clearance is not available **DO NOT OPERATE THE VEHICLE** with the AZ-1 portable hand controls.



5. Next you must position your seat in a safe position. When you have positioned it in a safe position you must first adjust the length of the brake tube. By unfastening the snap pin you can slide the brake tube to the safe length. After locating the length reinstall the quick release snap pin. Be sure that the pin is latched safely. Test by pulling to verify that the snap pin is attached correctly. If for any reason that snap pin is not securely fastened **DO NOT OPERATE THE VEHICLE** with the AZ-1 portable hand controls. Test the brake with the vehicle in park before driving. If the AZ-1 cannot be adjusted to the proper length contact the company where you purchased and return for replacement immediately.



6. Now you must adjust the length of the accelerator tube. By unfastening the snap pin you can slide the accelerator tube to the safe length. The accelerator should be approx. 2" higher than the brake handle for depression with your thumb. After locating the length reinstall the quick release snap pin. Be sure that the pin is latched safely. Test by pulling to verify that the snap pin is attached correctly. If for any reason that snap pin is not securely fastened **DO NOT OPERATE THE VEHICLE** with the AZ-1 portable hand controls. Test the accelerator with the vehicle in park before driving. If the AZ-1 cannot be adjusted to the proper length contact the company where you purchased and return for replacement immediately.



Removing Instructions

To remove the AZ-1 portable hand controls loosen (do not remove) the finger screws to slide the clamps over the pedals. If storing in a bag for travel it is not recommended to disassemble the AZ-1 portable hand control. To collapse for storage remove pins and slide the tubes to the smallest design.

Operation

Braking

- When operating the vehicle the AZ-1 portable hand controls will enable the driver to press the power brake and accelerator with a single left hand only.



Accelerating

- While firmly gripping the brake handle use your thumb on left hand to depress the accelerator.

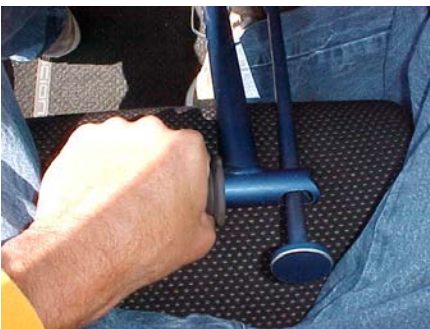


General

- Always keep your left hand on the AZ-1 portable hand control. Do not remove your hand from the hand control unless the vehicle is safely positioned in park.



- Never depress the accelerator while you are braking.
- The AZ-1 portable hand control must be positioned between your legs to safely operate.



- If your disability doesn't allow motionless sitting then you should not attempt to operate a vehicle the AZ-1 portable hand controls. Example, some people have uncontrollable spasm that prevent safe driving. If you suffer from uncontrollable muscle spasm DO NOT OPERATE THE VEHICLE with the AZ-1 portable hand controls.

- The car must be steered with your right hand and the remaining left hand will control the AZ-1 portable hand control. No exceptions are allowed.

Accessories and Replacement Parts

Grip – heat resistant

Snap Pins .250" (1/4")

Snap Pins .3125" (5/16")

Maintenance and Service Instructions

While in use the AZ-1 requires daily safety checks. On each daily use of the vehicle verify the following before using the AZ-1 portable hand controls.

- Make sure that all nuts, bolts, pins and finger screws are tight and secure. It is necessary to always keep the correct wrenches to tighten the hardware as necessary. If anything is unsafe or unsecured **DO NOT OPERATE THE VEHICLE** with the AZ-1 portable hand controls.
- Verify that the location of the clamps while mounted on vehicle pedals is safely located each time you drive the vehicle.
- When storing the AZ-1 portable hand controls be sure to keep all components together. Do not substitute other hardware or parts in place of the standard material provided. If for any reason that a part is misplaced or damaged contact Hand Control Inc. or your local supplier for replacement parts. See parts list for correct identification.

100% Money Back Guarantee

Within **30 days** if you are dissatisfied in any way we will happily refund the cost of the AZ-1 portable hand control in full less shipping. Must be returned in **New, Original Condition** to receive 100% money back.

Warranty

Hand Control, Inc. warrants that AZ-1 portable hand control for the life of the user that purchases the item. You must complete the warranty registration card within **30 days** of purchase to qualify for the warranty. Shipping is not included for warranty replacements.

Safety Information

Contact your local Department of Motor Vehicle for requirements in your state. Each state has different requirements for use of portable hand controls while driving a vehicle.

Warning

Do not allow other people to drive with your portable hand controls.

Always remove the AZ-1 portable hand controls when other people are driving your car. This includes but is not limited to friends, family and valet drivers.

You must have a valid drivers license to operate a vehicle.

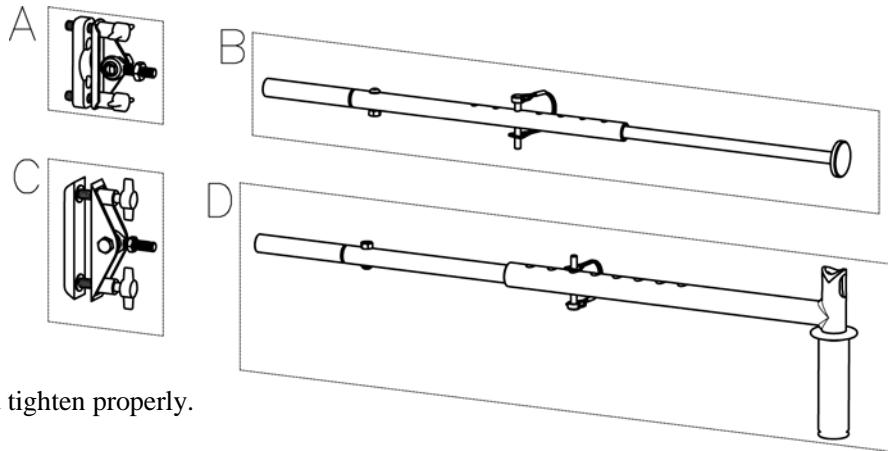
Caution

If anything appears unsafe in the use of AZ-1 do not operate vehicle with the portable hand control system. Automobiles can cause death and or serious injury during operation.

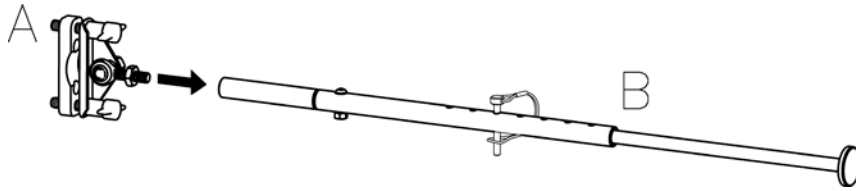
Unsecured controls will limit or eliminate the opportunity to control your vehicle. Therefore, do not operate if any thing appears unsafe or unsecured.

AZ-1 Hand Control Assembly Instructions

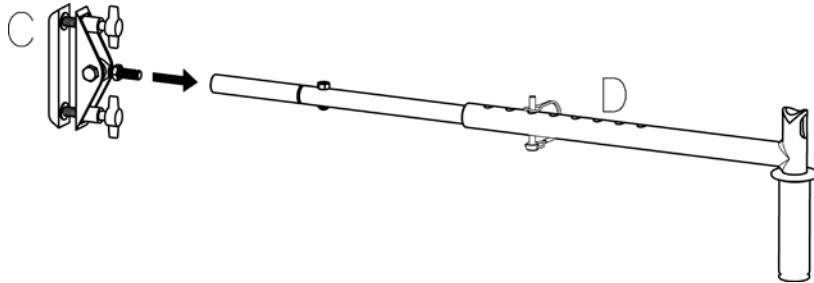
There are four parts in the box.



STEP1- Insert **A** Into **B** and screw in and tighten properly.



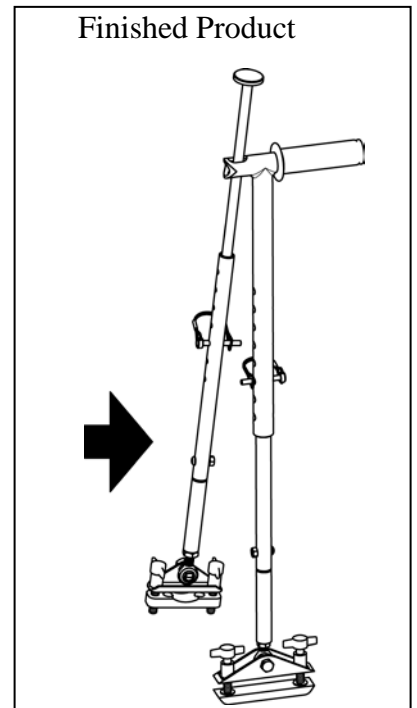
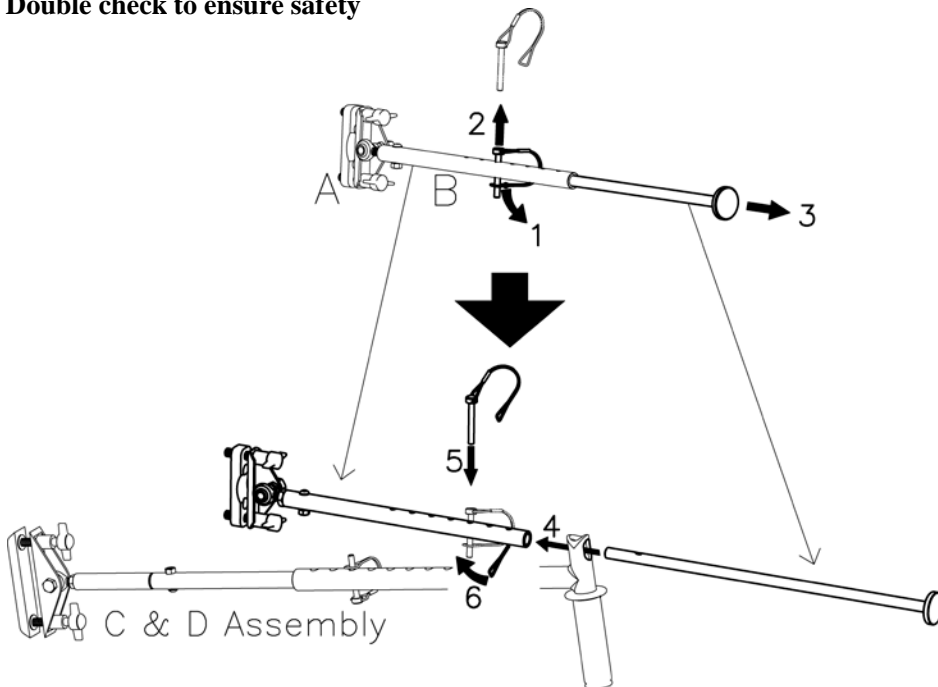
STEP2- Insert **C** Into **D** and screw in and tighten properly.



STEP3- Remove pin on B and insert into D top of opening and adjust to desired length. Then install pin.

***Note:** Make sure to secure and tighten all nuts and bolts properly before use.

Double check to ensure safety



Cut on dotted Line

Warranty Registration - Place reply card in envelope and return to 2061 Cecilia Circle Corona, CA 92881
1-800-892-8998 951-808-9131 951-808-9949 fax

First Name _____ Last Name _____ Middle Initial _____

Address _____

City _____ State/Province ____ Zip _____ Country _____

Phone _____ Fax _____

Email address _____

Disability _____ Age _____ Male/Female _____

How did you find out about the AZ-1 Portable Hand Controls _____

Comments (over if nec.): _____
