

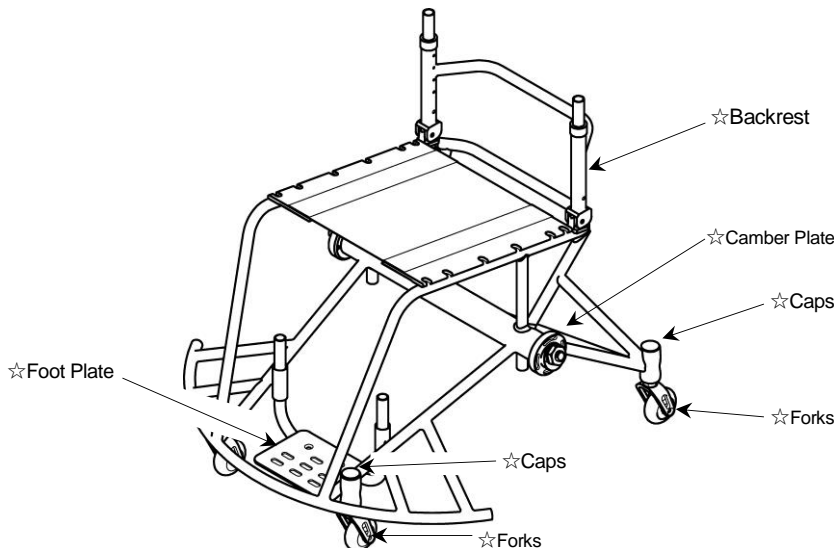
DEALER			COLOURS INFORMATION For Office Use Only		
Dealer:			Order Date:		S/N:
Account:		P.O.#:	RTS		
Ordered By:			RTS:		Phone:
Address:			Email:		
City:		State:	Zip:		SHIP TO
Phone:		Fax:	Name:		Ship Via:
Email:			Address:		
Customer Name:			City:		State:
Customer Weight:			Phone:		Fax:

CHAIR INFORMATION	PRICE
ZEPHYR K0009	Base Wheel Chair Price K0009 \$ 3,780
Fixed FSH-RSH Max. Capacity 250Lbs	Total Section A \$
Main Frame: ZK55 & ZK60 High Grade A7000 Series Sport Chair	Total Section B \$
NOTE	Total Section C \$
	Total Section D \$
	Total Section E \$
	Total Section F (Custom Parts Color) \$
	ORDER GRAND TOTAL \$

A FRAME COLORS & PARTS COLORS

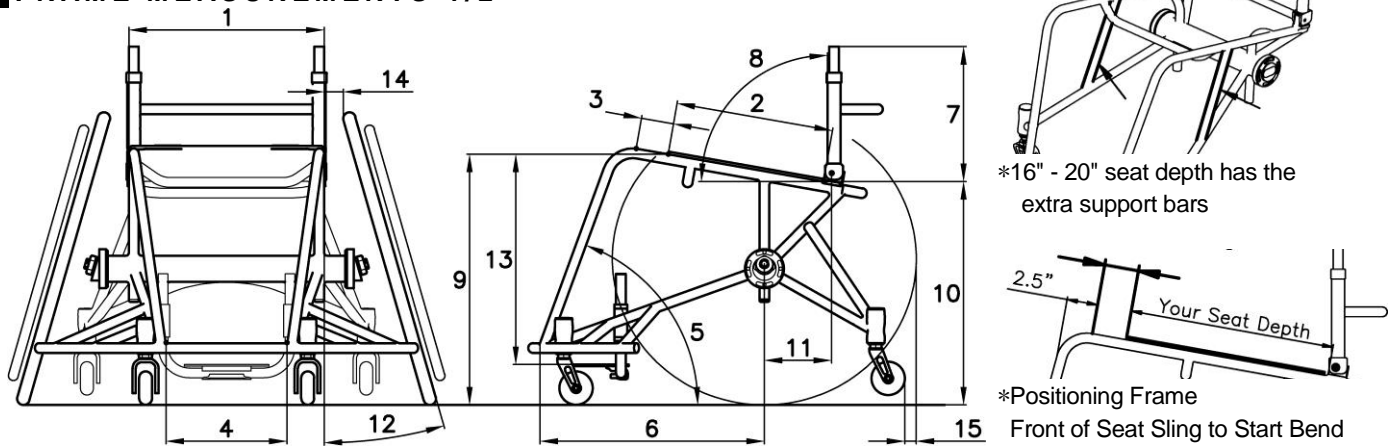
FRAME COLORS						
Powder-Co	<input type="checkbox"/> Gloss Black	<input type="checkbox"/> Twilight Flake	<input type="checkbox"/> Yellow	<input type="checkbox"/> Magenta	<input type="checkbox"/> Fire Engine Red	<input type="checkbox"/> White
	<input type="checkbox"/> Candy Blue	<input type="checkbox"/> Candy Purple	<input type="checkbox"/> Candy Green	<input type="checkbox"/> Candy Red	<input type="checkbox"/> Candy Raspberry	<input type="checkbox"/> Cobalt Blue
	<input type="checkbox"/> Matte Gray	<input type="checkbox"/> Matte Purple	<input type="checkbox"/> Matte Blue	<input type="checkbox"/> Matte Green	<input type="checkbox"/> Matte Black	<input type="checkbox"/> Matte Red
	<input type="checkbox"/> Neon Red	<input type="checkbox"/> Neon Green	<input type="checkbox"/> Orange Sparkle	<input type="checkbox"/> Mellon Yellow	<input type="checkbox"/> Gun Smoke Silver	<input type="checkbox"/> Pigeon Blue
	<input type="checkbox"/> Copper	<input type="checkbox"/> Granny Sparkle Green	<input type="checkbox"/> Sparkle Sky Blue	<input type="checkbox"/> Vermilion	<input type="checkbox"/> Reed Green	<input type="checkbox"/> Blue Lilac
						STD
Special	<input type="checkbox"/> Polished					\$ 800
	<input type="checkbox"/> 24 karat Gold					\$ CFP

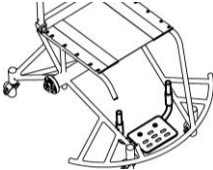
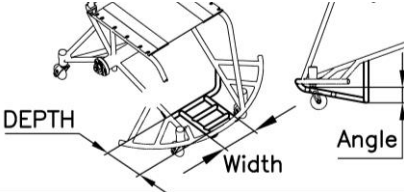
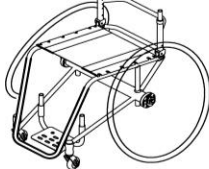
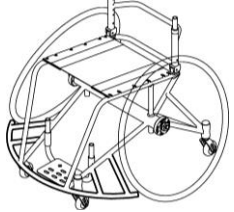
PARTS COLORS (Custom Parts Color Section, Please see Section F)		
STD Color	Black Color (*Suspension Springs-Silver Color)	\$ STD
Custom Color Main Bolt on Parts One Color Package		
Including: Backrest, Foot Plate, Forks & Knurl Nuts, Caps, Camber Discs - ☆marked parts	<input type="checkbox"/> Powder-Coated ()	\$ 340
	<input type="checkbox"/> Polished	\$ 460
	<input type="checkbox"/> 24 karat Gold	\$ CFP



Total Section A \$

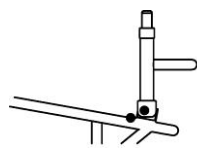
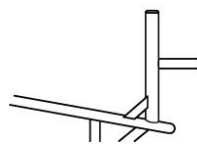

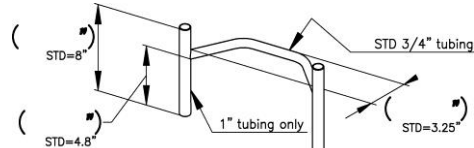
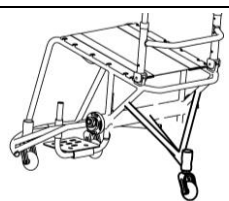
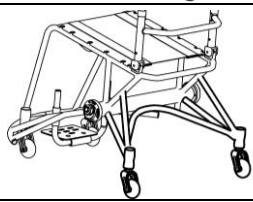
B FRAME MEASUREMENTS 1/2



1	SEAT WIDTH	<input type="checkbox"/> 12.0" <input type="checkbox"/> 12.5" <input type="checkbox"/> 13.0" <input type="checkbox"/> 13.5" <input type="checkbox"/> 14.0" <input type="checkbox"/> 14.5" <input type="checkbox"/> 15.0" <input type="checkbox"/> 15.5" <input type="checkbox"/> 16.0" <input type="checkbox"/> 16.5" <input type="checkbox"/> 17.0" <input type="checkbox"/> 17.5" <input type="checkbox"/> 18.0" <input type="checkbox"/> 18.5" <input type="checkbox"/> 19.0"	\$ STD
2	SEAT DEPTH	<input type="checkbox"/> 12.0" <input type="checkbox"/> 13.0" <input type="checkbox"/> 14.0" <input type="checkbox"/> 15.0" <input type="checkbox"/> 16.0" <input type="checkbox"/> 17.0" <input type="checkbox"/> 18.0"	\$ STD
3	POSITIONING FRAME	<input type="checkbox"/> 0" (STD) <input type="checkbox"/> 1.0" <input type="checkbox"/> 2.0" <input type="checkbox"/> 3.0" <input type="checkbox"/> 4.0" <input type="checkbox"/> 5.0"	\$ STD
4	FOOTREST WIDTH	(")	\$ STD
	FOOT PLATE STYLE	<input type="checkbox"/> Adjustable Height Inside Footrest 	\$ STD
		<input type="checkbox"/> Welded Tubular Footrest Width (") Depth (") Angle (") <input type="checkbox"/> Welded Tubular Footrest w/ABS Foot Plate (+\$ 120) 	\$ 280
5 OR 6	FRAME ANGLE to the ground	<input type="checkbox"/> 65° <input type="checkbox"/> 70° <input type="checkbox"/> 75° <input type="checkbox"/> 80° <input type="checkbox"/> 85° <input type="checkbox"/> 90° Custom (°) to the ground	\$ STD
	FRONT FRAME LENGTH	(")	
	FRONT FRAME STYLE	<input type="checkbox"/> STD 	\$ STD
		<input type="checkbox"/> w/WINGS  <input type="checkbox"/> w/Basketball Roller (+\$ 55)	\$ 280

NOTE

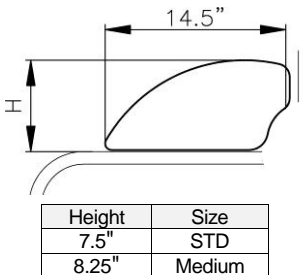
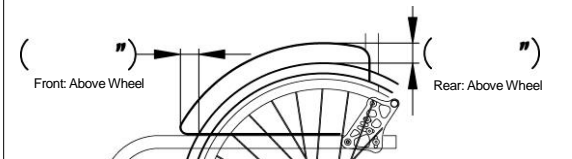
B FRAME MEASUREMENTS 2/2

7	BACKREST HEIGHT	<input type="checkbox"/> 8" <input type="checkbox"/> 9" <input type="checkbox"/> 10" <input type="checkbox"/> 11" <input type="checkbox"/> 12" <input type="checkbox"/> 13" <input type="checkbox"/> 14" <input type="checkbox"/> 15" <input type="checkbox"/> 16" <input type="checkbox"/> 17" <input type="checkbox"/> 18"	Adj. Range Adj. Range	\$ STD
	BACKREAT TYPE	<input type="checkbox"/> Folding with adjust height & angle 		\$ STD
		<input type="checkbox"/> Welded Backrest *Non Folding , Non adjust. height & angle only 		\$ 150
		<input type="checkbox"/> Welded Side Guards *Welded Backrest only 		\$ 450
		<input type="checkbox"/> Custom Backrest *ie: double rigidizer bars, custom depth, Custom Height, etc 		\$ 150
8	BACKREST ANGLE	Set at (°) to the ground *STD 90°		\$ STD
9	FRONT SEAT HEIGHT	<input type="checkbox"/> 15.5" <input type="checkbox"/> 16.0" <input type="checkbox"/> 16.5" <input type="checkbox"/> 17.0" <input type="checkbox"/> 17.5" <input type="checkbox"/> 18.0" <input type="checkbox"/> 18.5" <input type="checkbox"/> 19.0" <input type="checkbox"/> 19.5" <input type="checkbox"/> 20.0" <input type="checkbox"/> 20.5" <input type="checkbox"/> 20 7/8"		\$ STD
10	REAR SEAT HEIGHT	<input type="checkbox"/> 13.5" *24" wheels only <input type="checkbox"/> 14.0" *24", 25" wheels only <input type="checkbox"/> 14.5" *24", 25", 26" wheels only <input type="checkbox"/> 15.0" <input type="checkbox"/> 15.5" <input type="checkbox"/> 16.0" <input type="checkbox"/> 16.5" <input type="checkbox"/> 17.0" <input type="checkbox"/> 17.5" <input type="checkbox"/> 18.0" <input type="checkbox"/> 18.5" <input type="checkbox"/> 19.0" <input type="checkbox"/> 19.0" <input type="checkbox"/> 19.5" <input type="checkbox"/> 20.0" <input type="checkbox"/> 20.5" <input type="checkbox"/> 20 7/8"		\$ STD
11	CENTER OF GRAVITY	<input type="checkbox"/> 2.5" <input type="checkbox"/> 3.0" <input type="checkbox"/> 3.5" <input type="checkbox"/> 4.0" <input type="checkbox"/> 4.5" <input type="checkbox"/> 5.0" <input type="checkbox"/> 5.5" <input type="checkbox"/> 6.0" <input type="checkbox"/> 6.5"		\$ STD
12	CAMBER ANGLE	<input type="checkbox"/> 12° <input type="checkbox"/> 14° <input type="checkbox"/> 16° <input type="checkbox"/> 18° <input type="checkbox"/> 20°		\$ STD
13	FRONT OF SEAT SLING TO FOOTREST	(") *Measure from front edge of seat sling to top of footrest vertically.		\$ STD
14	INSIDE WHEEL CLEARANCE	<input type="checkbox"/> 1/2" <input type="checkbox"/> 3/4" <input type="checkbox"/> 1.0" <input type="checkbox"/> 1 1/4" <input type="checkbox"/> 1 1/2" <input type="checkbox"/> 1 3/4" <input type="checkbox"/> 2.0"		\$ STD
15	REAR CASTER TO REAR WHEELSPACING	<input type="checkbox"/> 0.5" (STD) Custom (") Available for Welded Wheelie Bar		\$ STD
	REAR CASTER OPTION	<input type="checkbox"/> Omit Wheelie Bar		\$ STD
		<input type="checkbox"/> Single Style Welded Wheelie Bar 		\$ 240
		<input type="checkbox"/> Double Style Welded Wheelie Bar 		\$ 410
Sub Total Section B 1/2 \$				
Sub Total Section B 2/2 \$				
Total Section B \$				

C WHEELS, TIRES & CASTERS, FORKS

WHEELS					
Standard Radial Spoke Wheel <input type="checkbox"/> 24" (540) Only			\$ STD		
Heat-Treated Wheel <input type="checkbox"/> 24" (540) <input type="checkbox"/> 25" (559) <input type="checkbox"/> 26" (590)			\$ 250		
Cross Knot Laced Spokes <input type="checkbox"/> 24" (540) <input type="checkbox"/> 25" (559) <input type="checkbox"/> 26" (590)			\$ 250		
Twister Super Strength wheel <input type="checkbox"/> 24" (540) <input type="checkbox"/> 25" (559) <input type="checkbox"/> 26" (590)			\$ 300		
Spinergy Spox Sports 18 Spokes	<input type="checkbox"/> 24" (540) <input type="checkbox"/> 25" (559) <input type="checkbox"/> 26" (590) <input type="checkbox"/> 27" (700C)				
	Spoke Color <input type="checkbox"/> Black <input type="checkbox"/> Red <input type="checkbox"/> Yellow <input type="checkbox"/> Blue <input type="checkbox"/> White	With Silver Hub With Black Hub With Black Hub With Black Hub With Black Hub	\$ 695		
	<input type="checkbox"/> Custom Color Spoke Pattern	Left Wheel Right Wheel			
	Spokes Color Inside Outside	Hub Color <input type="checkbox"/> Black/ <input type="checkbox"/> Silver <input type="checkbox"/> Black/ <input type="checkbox"/> Silver	\$ 795		
Spinergy SLX	<input type="checkbox"/> 18 Spokes <input type="checkbox"/> 24 Spokes				
	<input type="checkbox"/> 24" (540) <input type="checkbox"/> 25" (559) <input type="checkbox"/> 26" (590) <input type="checkbox"/> 27" (700C)				
	Spoke Color <input type="checkbox"/> Black <input type="checkbox"/> Red <input type="checkbox"/> Yellow <input type="checkbox"/> Blue <input type="checkbox"/> White <input type="checkbox"/> Neon Green <input type="checkbox"/> Pink <input type="checkbox"/> Orange	With Silver Hub With Black Hub With Black Hub With Black Hub With Black Hub With Black Hub With Black Hub With Black Hub	\$ 895		
	<input type="checkbox"/> Custom Color Spoke Pattern	Left Wheel Right Wheel	\$ 995		
Spokes Color Inside Outside	Hub Color <input type="checkbox"/> Black/ <input type="checkbox"/> Silver <input type="checkbox"/> Black/ <input type="checkbox"/> Silver				
HANDRIMS					
Type	<input type="checkbox"/> Standard For 24", 25" or 26", 700C(27") Wheel Anodized Black		\$ STD		
	<input type="checkbox"/> Vinyl Coated For 24", 25", 26" Wheel		\$ 142		
	<input type="checkbox"/> Ultra Grip For 24", 25", 26" Wheel		\$ 395		
NOTE					
TAB LENGTH	<input type="checkbox"/> Long Tabs (STD inside clearance 3/4")		\$ STD		
	<input type="checkbox"/> Short Tabs (Inside clearance 1/2") *Not available with Natural Fit Handrim with thumb grip		\$ STD		
	<input type="checkbox"/> Short Tab (Set closest to wheel cut off excess		\$ 15		
TIRES					
<input type="checkbox"/> High Pressure Tire <input type="checkbox"/> 24"x1", <input type="checkbox"/> 25"x1" , <input type="checkbox"/> 26"x1", <input type="checkbox"/> 700C Gray Tire with black wall Only		E2211/E2212	\$ STD		
<input type="checkbox"/> High Pressure Tire <input type="checkbox"/> 24"x1", <input type="checkbox"/> 25"x1" or <input type="checkbox"/> 26"x1" <input type="checkbox"/> Blue <input type="checkbox"/> Red		E2211/E2212	\$ 65		
CASTERS					
SIZE	TIRE WIDTH	HUB COLOR	TIRE COLOR	DESCRIPTION	
<input type="checkbox"/> 3"	1"	Black Hub	Black Tire Only	Polyeurathane	\$ STD
<input type="checkbox"/> 3"	1"	Plastic Black Hub	Clear Tire Only	Lighted, Polyeurathane	\$ 65
<input type="checkbox"/> 3"	1"	Red Hub	Red Tire Only	Polyeurathane	\$ STD
<input type="checkbox"/> 3"	1"	Black Hub	Clear Tire Only	Polyeurathane	\$ STD
<input type="checkbox"/> 3"	1"	Aluminum Silver Hub	Black Tire Only	Made By Frog Legs	\$ 165
<input type="checkbox"/> 3"	1"	Aluminum Black Hub	Black Tire Only	Made By Frog Legs	\$ 165
<input type="checkbox"/> 3"	1.5"	Aluminum Silver Hub	Black Tire Only	Soft Roll Made By Frog Legs	\$ 165
<input type="checkbox"/> 3"	1.5"	Aluminum Black Hub	Black Tire Only	Soft Roll Made By Frog Legs	\$ 165
NOTE					
FORKS					
<input type="checkbox"/> STD Aluminum Forks Black Only					\$ STD
Extra Options for Aluminum Forks		<input type="checkbox"/> With Quick Release Axles		E1015	\$ 55
		<input type="checkbox"/> With Quick Release Axles		K0073	\$ 107
NOTE					
Total Section C					\$

D COMPONENTS

SIDE GUARDS									
<input type="checkbox"/> Rigid Side Guards - Black ABS	<input type="checkbox"/> Non-Removable <input type="checkbox"/> Removable <input type="checkbox"/> Removable w/Hole (\$10 up charge) Size: <input type="checkbox"/> STD <input type="checkbox"/> Medium <input type="checkbox"/> Cut to Wheel (\$98 up charge) <small>Measurement</small> Color: Black Only		\$ 142						
<input type="checkbox"/> Rigid Side Guards - Aluminum	<input type="checkbox"/> Non-Removable <input type="checkbox"/> Removable Size: <input type="checkbox"/> Medium Only <input type="checkbox"/> Cut to Wheel (\$98 up charge) <small>Measurement</small> Color <input type="checkbox"/> Black (STD) <input type="checkbox"/> Pol. Aluminum (STD) <input type="checkbox"/> Powder Coated () (\$50 up charge) <input type="checkbox"/> Gold Plate (+CFP)	 <table border="1" data-bbox="203 546 430 619"> <tr> <th>Height</th> <th>Size</th> </tr> <tr> <td>7.5"</td> <td>STD</td> </tr> <tr> <td>8.25"</td> <td>Medium</td> </tr> </table>	Height	Size	7.5"	STD	8.25"	Medium	\$ 197
Height	Size								
7.5"	STD								
8.25"	Medium								
									

SEAT CUSHION			
<input type="checkbox"/> Foam Cushion w/Nylon Cover Thickness <input type="checkbox"/> 1" <input type="checkbox"/> 2" <input type="checkbox"/> 3" <input type="checkbox"/> 4"	<input type="checkbox"/> Cushion Cover (Std. Foam Cushion Only)–Select Fabric () (\$90 up charge)		\$ 78
-*Please see section E for other cushion choices.-			

MISCELLANEOUS			
<input type="checkbox"/> Frame Protectors / Black Leather/Zipper Type			\$ 78
<input type="checkbox"/> K0065 Spoke Protectors / Black Only <input type="checkbox"/> 24" <input type="checkbox"/> 25" <input type="checkbox"/> 26" <input type="checkbox"/> 27" (700C)		K0065	\$ 107
<input type="checkbox"/> E0978 Seat Belt w/Auto Buckle (BP) 1.5" Black Belt Only		E0978	\$ 69
<input type="checkbox"/> Ratchet Strap <input type="checkbox"/> Small <input type="checkbox"/> Medium <input type="checkbox"/> Large			\$ 125

UPHOLSTERY CHOICE & COLOR			
<input type="checkbox"/> Standard Adjustable Ht Backrest Black Only			\$ STD
<input type="checkbox"/> Adjustable Tension Backrest Black Only (*Not available with 8" Backrest Height)			\$ 135
Custom Options	<input type="checkbox"/> Custom Colored For Std. or Adj. Style <input type="checkbox"/> Black <input type="checkbox"/> Blue <input type="checkbox"/> Red (\$60 up charge) <input type="checkbox"/> Fabrics for Fun <input type="checkbox"/> 001 <input type="checkbox"/> 002 <input type="checkbox"/> 003 <input type="checkbox"/> 004 <input type="checkbox"/> 006 <input type="checkbox"/> 010 <input type="checkbox"/> 011 (\$95 up charge) For Std. or Adj. Style <input type="checkbox"/> 014 <input type="checkbox"/> 015 <input type="checkbox"/> 016 <input type="checkbox"/> 017 <input type="checkbox"/> 018 <input type="checkbox"/> 020 <input type="checkbox"/> 021 <input type="checkbox"/> 022 <input type="checkbox"/> 023 <input type="checkbox"/> 024 <input type="checkbox"/> 025 <input type="checkbox"/> 026 <input type="checkbox"/> 027 <input type="checkbox"/> 028 <input type="checkbox"/> Backrest Leather Trim (outside panels) (\$77 up charge)		
<input type="checkbox"/> Calf Strap <input type="checkbox"/> Black <input type="checkbox"/> Matching Fabric (\$55 up charge) –Select Fabric ()		K0038	\$ 24
<input type="checkbox"/> Matching Fabric on Padded Side Guards –Select Fabric ()			\$ 210

NOTE

Total Section D \$

E CHAIR OPTIONS

SEAT CUSHION				
SUPRACOR® WHEELCHAIR CUSHIONS				
Stimulite® Contoured Cushion *Black Upholstery only	<input type="checkbox"/> W14"xD16" (CD1416)	E2603 \$ 525	
	<input type="checkbox"/> W16"xD16" (CD1616)	E2603 \$ 525	
	<input type="checkbox"/> W16"xD18" (CD1618)	E2603 \$ 525	
	<input type="checkbox"/> W18"xD16" (CD1816)	E2603 \$ 525	
	<input type="checkbox"/> W18"xD18" (CD1818)	E2603 \$ 525	
	<input type="checkbox"/> W18"xD20" (CD1820)	E2603 \$ 540	
	<input type="checkbox"/> W20"xD16" (CD2016)	E2603 \$ 540	
	<input type="checkbox"/> W20"xD18" (CD2018)	E2603 \$ 540	
	<input type="checkbox"/> W20"xD20" (CD2020)	E2603 \$ 555	
			<input type="checkbox"/> Extra Sensitive (\$30 up charge) <input type="checkbox"/> Sling Style Bottom (\$45 up charge) <input type="checkbox"/> Custom Size W(") x D(") (-\$ CFP)	
Stimulite® Slimline Cushion *Black Upholstery only	<input type="checkbox"/> W14"xD16" (SM1416)	E2603 \$ 495	
	<input type="checkbox"/> W16"xD16" (SM1616)	E2603 \$ 495	
	<input type="checkbox"/> W16"xD18" (SM1618)	E2603 \$ 495	
	<input type="checkbox"/> W18"xD18" (SM1818)	E2603 \$ 495	
	<input type="checkbox"/> W18"xD20" (SM1820)	E2603 \$ 495	
	<input type="checkbox"/> W20"xD16" (SM2016)	E2603 \$ 510	
	<input type="checkbox"/> W20"xD18" (SM2018)	E2603 \$ 510	
	<input type="checkbox"/> W20"xD20" (SM2020)	E2603 \$ 510	
			<input type="checkbox"/> Extra Sensitive (\$30 up charge) <input type="checkbox"/> Sling Style Bottom (\$45 up charge) <input type="checkbox"/> Custom Size W(") x D(") (-\$ CFP)	
	ROHO WHEELCHAIR CUSHIONS			
<input type="checkbox"/> 3" MID PROFILE® QUADTRO SELECT® CUSHION Choose Size <input type="checkbox"/> W15"xD15" <input type="checkbox"/> W15"xD16" <input type="checkbox"/> W16"xD16" <input type="checkbox"/> W16"xD18" <input type="checkbox"/> W18"xD16" <input type="checkbox"/> W18"xD18"	*Black Upholstery only	E2622-2623 \$ 525	
		<input type="checkbox"/> Custom Size W(") x D(") (+\$85)		
<input type="checkbox"/> 2" LOW PROFILE® QUADTRO SELECT® CUSHION Choose Size <input type="checkbox"/> W12"xD12" <input type="checkbox"/> W12"xD13" <input type="checkbox"/> W13"xD13" <input type="checkbox"/> W13"xD15" <input type="checkbox"/> W13"xD16" <input type="checkbox"/> W15"xD13" <input type="checkbox"/> W15"xD15"	*Black Upholstery only	E2622-2623 \$ 525	
		<input type="checkbox"/> W15"xD16" <input type="checkbox"/> W15"xD18" <input type="checkbox"/> W16"xD15" <input type="checkbox"/> W16"xD16" <input type="checkbox"/> W16"xD18" <input type="checkbox"/> W16"xD20" <input type="checkbox"/> W18"xD15"		
		<input type="checkbox"/> W18"xD16" <input type="checkbox"/> W18"xD18" <input type="checkbox"/> W18"xD20" <input type="checkbox"/> W20"xD16" <input type="checkbox"/> W20"xD18" <input type="checkbox"/> W20"xD20"		
		<input type="checkbox"/> Custom Size W(") x D(") (+\$85)		
<input type="checkbox"/> 2" NEXUS SPIRIT® CUSHION Choose Size <input type="checkbox"/> W15"xD15" <input type="checkbox"/> W16"xD16" <input type="checkbox"/> W16"xD18" <input type="checkbox"/> W17"xD17" <input type="checkbox"/> W18"xD16" <input type="checkbox"/> W18"xD18" <input type="checkbox"/> W20"xD18"	*Black Upholstery only	E2622 \$ 525	
		* Custom Size Not Available		
THE CURVE CUSHION *Black Upholstery only	<input type="checkbox"/> W10"xD10" <input type="checkbox"/> W10"xD11" <input type="checkbox"/> W10"xD11" <input type="checkbox"/> W10"xD12" <input type="checkbox"/> W11"xD12" <input type="checkbox"/> W12"xD12"	\$ 133	
		<input type="checkbox"/> W12"xD13" <input type="checkbox"/> W12"xD14" <input type="checkbox"/> W13"xD11" <input type="checkbox"/> W13"xD12" <input type="checkbox"/> W13"xD13" <input type="checkbox"/> W13"xD14"		
		<input type="checkbox"/> W14"xD14" <input type="checkbox"/> W14"xD15" <input type="checkbox"/> W14"xD16" <input type="checkbox"/> W15"xD14" <input type="checkbox"/> W15"xD15" <input type="checkbox"/> W15"xD16"		
		<input type="checkbox"/> W16"xD14" <input type="checkbox"/> W16"xD15" <input type="checkbox"/> W16"xD16" <input type="checkbox"/> W16"xD17" <input type="checkbox"/> W16"xD18" <input type="checkbox"/> W17"xD16"		
		<input type="checkbox"/> W17"xD17" <input type="checkbox"/> W17"xD18" <input type="checkbox"/> W18"xD16" <input type="checkbox"/> W18"xD17" <input type="checkbox"/> W18"xD18"		
OTHER				
<input type="checkbox"/> ADI Transfer Board	<input type="checkbox"/> 21" (ADV21) <input type="checkbox"/> 24" (ADV24) <input type="checkbox"/> 29"		\$ 62	
<input type="checkbox"/> ADI Push and Transfer Gloves	Leather (one size)		\$ 60	
<input type="checkbox"/> ADI Carbon Solid Seat	(Wide: 18" Max, Depth: 20" Max)		\$ 625	
VARILITE® Seating Systems Available Please visit for all options. www.varilite.com				
NOTE				
Total Section E			\$	

F SPECIAL PARTS COLORS (Please allow an additional 1-2 weeks delivery)

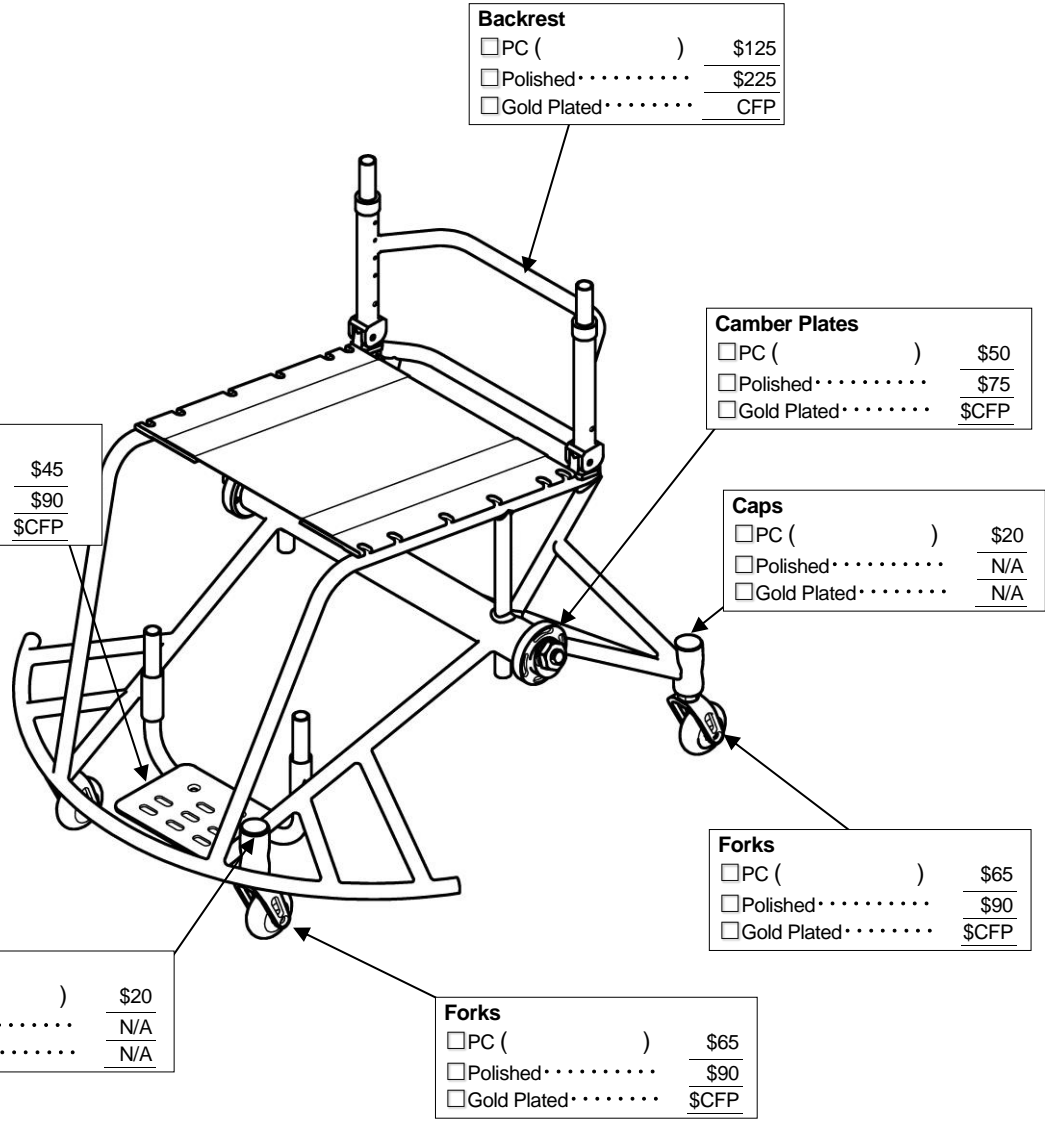
PARTS COLORS						
Powder-Coated	Gloss Black	Twilight Flake	Yellow	Magenta	Fire Engine Red	White
	Candy Blue	Candy Purple	Candy Green	Candy Red	Candy Raspberry	Cobalt Blue
	Matte Gray	Matte Purple	Matte Blue	Matte Green	Matte Black	Matte Red
	Neon Red	Neon Green	Orange Sparkle	Mellon Yellow	Gun Smoke Silver	Pigeon Blue
	Copper	Granny Sparkle Green	Sparkle Sky Blue	Vermilion	Reed Green	Blue Lilac
Special Colors	Polished Aluminum					
	24 karat Gold Plated					

Please Choose the Color for each Part

*Parts not selected will be black color. (Suspension Spring: Silver Color)

*Minimum 3 parts selected per order.

*PC=Powder-Coated



Total Section F \$