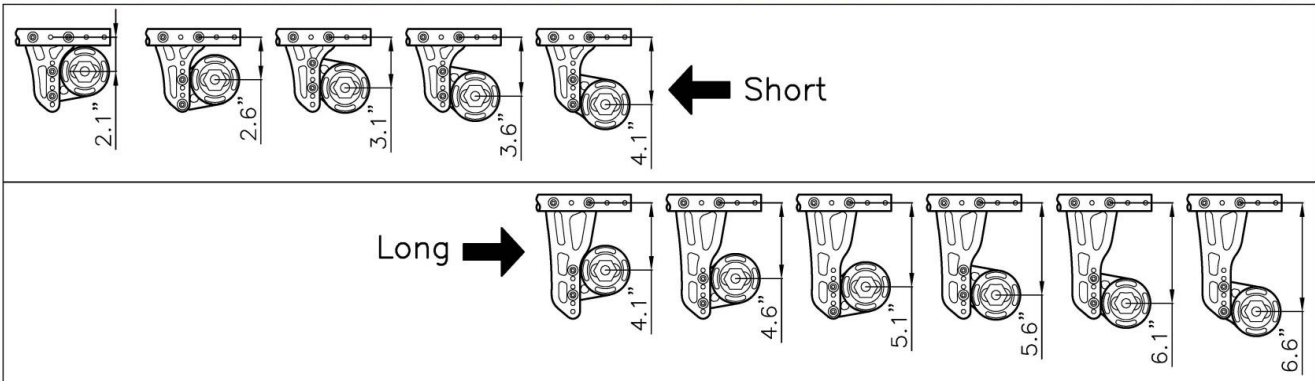
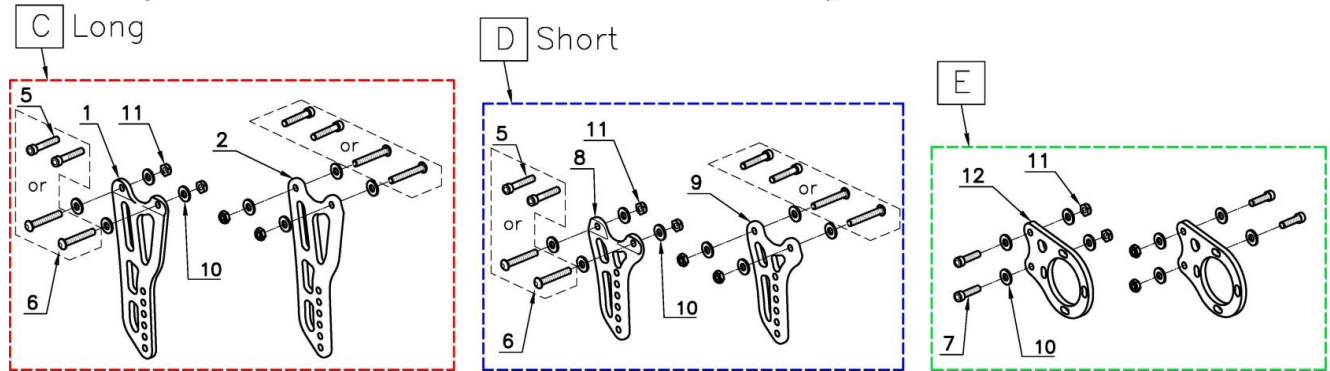
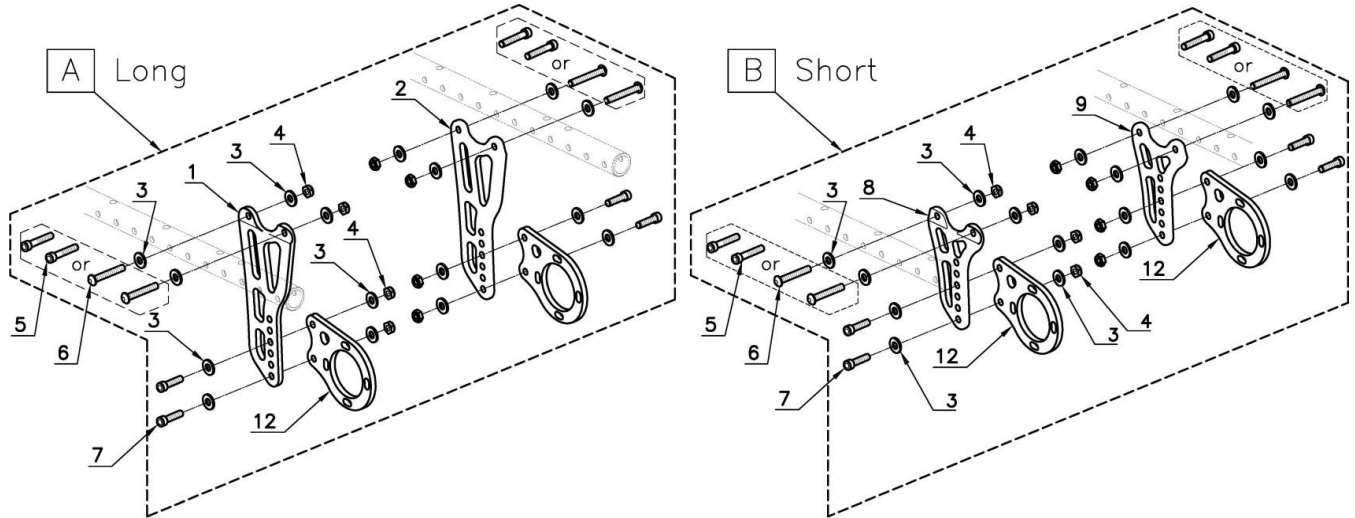


ADJ. AXLE PLATE



POS	Assy #	#	Parts #	QTY	Color	Remark	MSRP	NOTE
A	2900-01A	1	0439-293	1	Blk	L:inside mt, R:outside mt	\$120/set	1set/chair
		2	0439-292	1	Blk	R:inside mt, L:outside mt		
		3	0277-300	16	Sil	1/4" Washer		
		4	0110-300	8	Sil	1/4"-20 Nylon HLN		
		5	0313-300	4	Sil	1/4"-20 L:1 1/2" SHCS		
		6	0112-300	4	Sil	1/4"-20 L:1 3/4" BHCS		
		7	0541-315	4	Sil	1/4"-20 L:7/8" SHCS		
B	2900-01B	8	0439-291	1	Blk	L:inside mt, R:outside mt	\$120/set	1set/chair
		9	0439-290	1	Blk	R:inside mt, L:outside mt		
		3	0277-300	16	Sil	1/4" Washer		
		4	0110-300	8	Sil	1/4"-20 Nylon HLN		
		5	0313-300	4	Sil	1/4"-20 L:1 1/2" SHCS		
		6	0112-300	4	Sil	1/4"-20 L:1 3/4" BHCS		
		7	0541-315	4	Sil	1/4"-20 L:7/8" SHCS		
		12	0439-294	2	Blk	Axle Base		

POS	Assy #	#	Parts #	QTY	Color	Remark	MSRP	Note
C	2900-01C	1	0439-293	1	Blk	L:inside mt, R:outside mt	\$90/set	1set/chair
		2	0439-292	1	Blk	R:inside mt, L:outside mt		
		5	0313-300	4	Sil	1/4"-20 L:1 1/2" SHCS		
		6	0112-300	4	Sil	1/4"-20 L:1 3/4" BHCS		
		10	0277-300	8	Sil	1/4" Washer		
		11	0110-300	4	Sil	1/4"-20 Nylon HLN		
D	2900-01D	8	0439-291	1	Blk	L:inside mt, R:outside mt	\$80/set	1set/chair
		9	0439-290	1	Blk	R:inside mt, L:outside mt		
		5	0313-300	4	Sil	1/4"-20 L:1 1/2" SHCS		
		6	0112-300	4	Sil	1/4"-20 L:1 3/4" BHCS		
		10	0277-300	8	Sil	1/4" Washer		
E	2900-01E	11	0110-300	4	Sil	1/4"-20 Nylon HLN	\$50/set	1set/chair
		12	0439-294	2	Blk	Axle Base		
		7	0541-315	4	Sil	1/4"-20 L:7/8" SHCS		
		10	0277-300	8	Sil	1/4" Washer		