

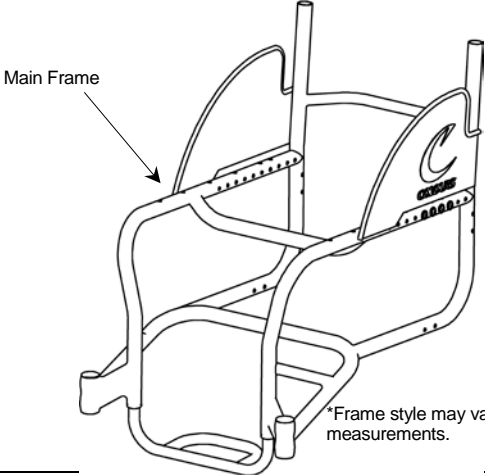


DEALER			COLOURS INFORMATION For Office Use Only		
Dealer:			Order Date:		S/N:
Account:		P.O.#:	RTS		
Ordered By:			RTS:		Phone:
Address:			Email:		
City:		State:	Zip:		SHIP TO
Phone:		Fax:		Name:	
Email:			Ship Via:		
Customer Name:			Address:		
Customer Weight:			City:		State: Zip:
			Phone:		Fax:

CHAIR INFORMATION	PRICE
BC Skate Chair	Base Wheel Chair Price K0005 \$ 3,895
Max. Capacity 250Lbs	Total Section A \$
NOTE	Total Section B \$
	Total Section C \$
	Total Section D \$
	Total Section E \$
	Total Section F (Custom Parts Color) \$
	ORDER GRAND TOTAL

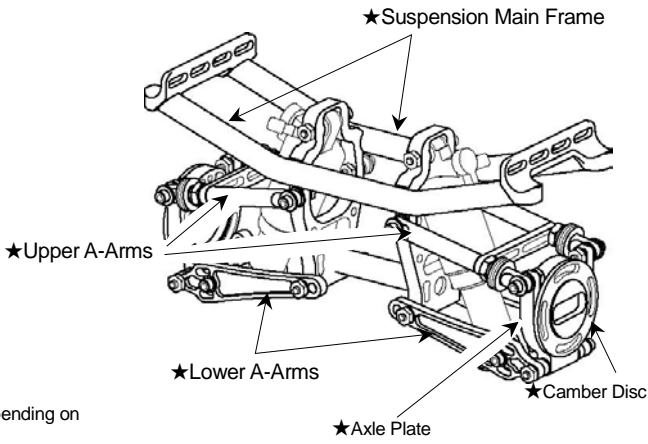
A FRAME COLORS & PARTS COLORS

MAIN FRAME COLORS *Neon color may increase lead time up to 2 weeks		
Powder-Coated	<input type="checkbox"/> Gloss Black <input type="checkbox"/> Twilight Flake <input type="checkbox"/> Yellow <input type="checkbox"/> Magenta <input type="checkbox"/> Fire Engine Red <input type="checkbox"/> White <input type="checkbox"/> Candy Blue <input type="checkbox"/> Candy Purple <input type="checkbox"/> Candy Green <input type="checkbox"/> Candy Red <input type="checkbox"/> Candy Raspberry <input type="checkbox"/> Cobalt Blue <input type="checkbox"/> Matte Gray <input type="checkbox"/> Matte Purple <input type="checkbox"/> Matte Blue <input type="checkbox"/> Matte Green <input type="checkbox"/> Matte Black <input type="checkbox"/> Matte Red <input type="checkbox"/> Neon Red* <input type="checkbox"/> Neon Green* <input type="checkbox"/> Orange Sparkle <input type="checkbox"/> Mellon Yellow <input type="checkbox"/> Gun Smoke Silver <input type="checkbox"/> Pigeon Blue <input type="checkbox"/> Granny Sparkle Green <input type="checkbox"/> Sparkle Sky Blue <input type="checkbox"/> Vermilion <input type="checkbox"/> Reed Green <input type="checkbox"/> Blue Lilac	\$ STD
Special Colors	<input type="checkbox"/> Polished <input type="checkbox"/> 24 karat Gold	\$ 800 \$ CFP
PARTS COLORS (Custom Parts Color Section, Please see Section F)		
STD Color	Black Color	\$ STD
Custom Color Suspension Unit One Color Package	<input type="checkbox"/> Powder-Coated () <input type="checkbox"/> Polished <input type="checkbox"/> 24 karat Gold	\$ 380 \$ 800 \$ CFP



Main Frame

*Frame style may vary depending on measurements.



★Suspension Main Frame

★Upper A-Arms

★Lower A-Arms

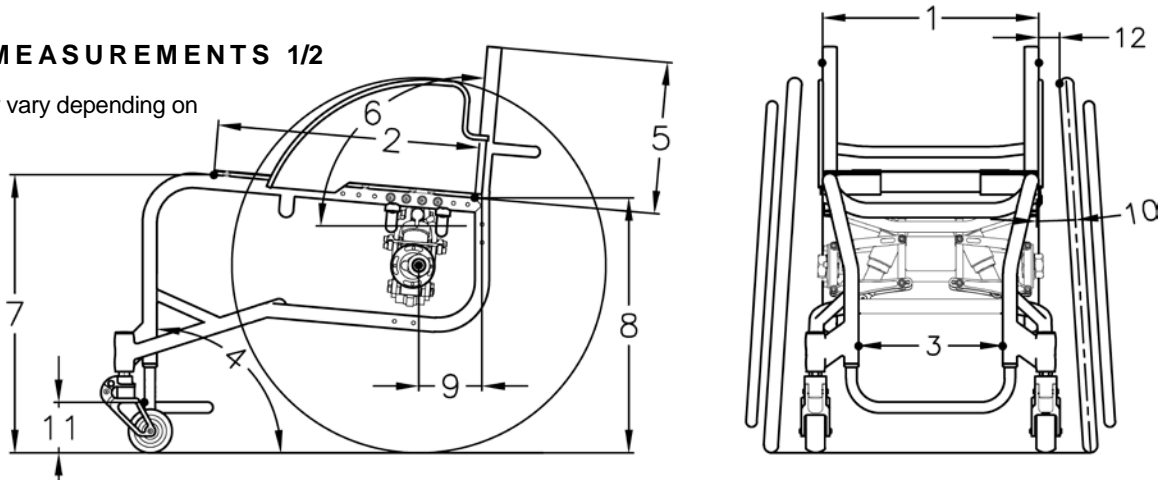
★Axle Plate

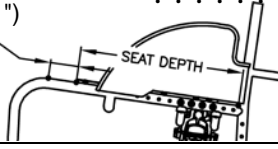
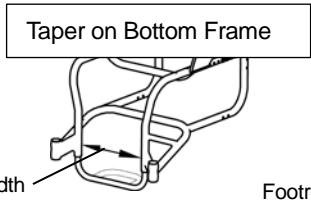
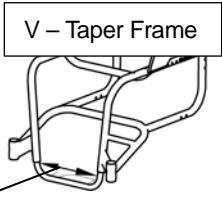
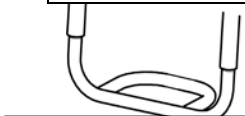
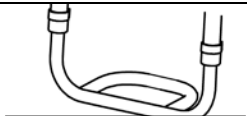

★Camber Disc

Total Section A \$

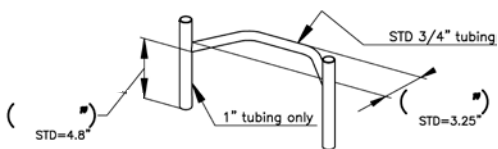

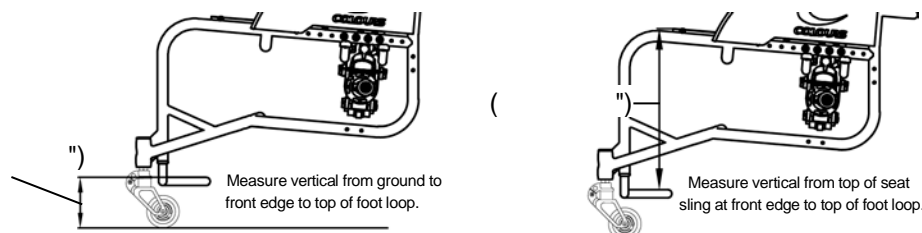
B FRAME MEASUREMENTS 1/2

*Frame style may vary depending on measurements.



1. SEAT WIDTH	<input type="checkbox"/> 13" <input type="checkbox"/> 14" <input type="checkbox"/> 15" <input type="checkbox"/> 16" <input type="checkbox"/> 17" <input type="checkbox"/> 18" <input type="checkbox"/> 19"	\$ STD
2. SEAT DEPTH	<input type="checkbox"/> 13" <input type="checkbox"/> 14" <input type="checkbox"/> 15" <input type="checkbox"/> 16" <input type="checkbox"/> 17" <input type="checkbox"/> 18" <input type="checkbox"/> 19"	\$ STD
	<input type="checkbox"/> Positioning Frame Add (")	\$ NCO
		
3. FOOTREST WIDTH	<input type="checkbox"/> STD (Seat Width Minus 5", Taper on Bottom Frame) <input type="checkbox"/> Custom (") Taper on Bottom Frame <input type="checkbox"/> Custom (") V - Taper Frame	\$ STD \$ NCO \$ NCO
	<div style="display: flex; justify-content: space-around;"> <div style="text-align: center;">  <p>Taper on Bottom Frame</p> </div> <div style="text-align: center;">  <p>V - Taper Frame</p> </div> </div>	
FOOT PLATE STYLE	<input type="checkbox"/> Welded Loop <input type="checkbox"/> Loop with adjust height *Not Available for V-Taper Frame <input type="checkbox"/> Welded Single loop with adjust angle Foot Plate <input type="checkbox"/> Single Loop with adjust angle & height Foot Plate *Not Available for V-Taper Frame	\$ STD \$ 150 \$ 200 \$ 250
	<div style="display: flex; justify-content: space-around;"> <div style="text-align: center;">  <p>Welded loop</p> </div> <div style="text-align: center;">  <p>Loop with adjust height Foot Plate</p> </div> <div style="text-align: center;">  <p>Single Loop with adjust angle & height Foot Plate</p> </div> </div>	
* Must Specify Measurement	<p>Size of Loop ▶ (")</p> <p>*Measurement must be 2.5" shorter than your Footrest Width</p> <p>Angle or Bucket of Loop ▶ (")</p>	<p><input type="checkbox"/> Custom Foot Plate (\$75 up charge)</p> <p>*Available Solid Plate Only</p> <p>(")</p> <p>*Measurement must be 2.5" shorter than your Footrest Width</p>
4. FRAME ANGLE	<input type="checkbox"/> 75° <input type="checkbox"/> 80° <input type="checkbox"/> 85° <input type="checkbox"/> 90° to the ground <input type="checkbox"/> Custom (°) to the ground	\$ STD \$ NCO
Sub Total Section B 1/2		

B FRAME MEASUREMENTS 2/2

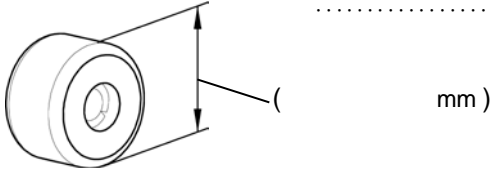
5. BACKREST HEIGHT * Welded Backrest only	<input type="checkbox"/> 8" <input type="checkbox"/> 9" <input type="checkbox"/> 10" <input type="checkbox"/> 11" <input type="checkbox"/> 12" <input type="checkbox"/> 13" <input type="checkbox"/> 14" <input type="checkbox"/> 15" <input type="checkbox"/> 16" <input type="checkbox"/> 17" <input type="checkbox"/> 18"	\$ STD																																																																																	
	<input type="checkbox"/> Custom Backrest	\$ 150																																																																																	
																																																																																			
SIDE GUARDS ▶ * Welded Side Guards only	<input type="checkbox"/> Welded Side Guards * Must Specify Measurement ▶	\$ STD																																																																																	
																																																																																			
6. BACKREST ANGLE	(°) to the ground *STD 90°	\$ STD																																																																																	
7. FRONT SEAT HEIGHT	<input type="checkbox"/> 16.5" <input type="checkbox"/> 17.0" <input type="checkbox"/> 17.5" <input type="checkbox"/> 18.0" <input type="checkbox"/> 18.5" <input type="checkbox"/> 19.0" <input type="checkbox"/> 19.5" <input type="checkbox"/> 20.0" <input type="checkbox"/> 20.5"	\$ STD																																																																																	
8. REAR SEAT HEIGHT	*The rear seat heights are impacted by the size of your rear tire.	\$ STD																																																																																	
	<table border="1" style="width:100%; border-collapse: collapse;"> <thead> <tr> <th style="width:30%;">Your Rear Tire Size</th> <th colspan="8">Rear Seat Height</th> </tr> </thead> <tbody> <tr> <td>24"x1"(540)</td> <td><input type="checkbox"/> 16.0"</td> <td><input type="checkbox"/> 16.5"</td> <td><input type="checkbox"/> 17.0"</td> <td><input type="checkbox"/> 17.5"</td> <td><input type="checkbox"/> 18.0"</td> <td><input type="checkbox"/> 18.5"</td> <td></td> <td></td> </tr> <tr> <td>24"x1.2"(540)</td> <td></td> <td><input type="checkbox"/> 16.5"</td> <td><input type="checkbox"/> 17.0"</td> <td><input type="checkbox"/> 17.5"</td> <td><input type="checkbox"/> 18.0"</td> <td><input type="checkbox"/> 18.5"</td> <td><input type="checkbox"/> 19.0"</td> <td></td> </tr> <tr> <td>24"x1 3/8"(540)</td> <td></td> <td><input type="checkbox"/> 16.5"</td> <td><input type="checkbox"/> 17.0"</td> <td><input type="checkbox"/> 17.5"</td> <td><input type="checkbox"/> 18.0"</td> <td><input type="checkbox"/> 18.5"</td> <td><input type="checkbox"/> 19.0"</td> <td></td> </tr> <tr> <td>25"x1"(559)</td> <td></td> <td><input type="checkbox"/> 16.5"</td> <td><input type="checkbox"/> 17.0"</td> <td><input type="checkbox"/> 17.5"</td> <td><input type="checkbox"/> 18.0"</td> <td><input type="checkbox"/> 18.5"</td> <td><input type="checkbox"/> 19.0"</td> <td></td> </tr> <tr> <td>25"x1.2"(559)</td> <td></td> <td></td> <td><input type="checkbox"/> 17.0"</td> <td><input type="checkbox"/> 17.5"</td> <td><input type="checkbox"/> 18.0"</td> <td><input type="checkbox"/> 18.5"</td> <td><input type="checkbox"/> 19.0"</td> <td></td> </tr> <tr> <td>24"x2"(540)</td> <td></td> <td></td> <td><input type="checkbox"/> 17.0"</td> <td><input type="checkbox"/> 17.5"</td> <td><input type="checkbox"/> 18.0"</td> <td><input type="checkbox"/> 18.5"</td> <td><input type="checkbox"/> 19.0"</td> <td></td> </tr> <tr> <td>26"x1"(590)</td> <td></td> <td></td> <td><input type="checkbox"/> 17.0"</td> <td><input type="checkbox"/> 17.5"</td> <td><input type="checkbox"/> 18.0"</td> <td><input type="checkbox"/> 18.5"</td> <td><input type="checkbox"/> 19.0"</td> <td></td> </tr> <tr> <td>25"x1.95"(559)</td> <td></td> <td></td> <td></td> <td><input type="checkbox"/> 17.5"</td> <td><input type="checkbox"/> 18.0"</td> <td><input type="checkbox"/> 18.5"</td> <td><input type="checkbox"/> 19.0"</td> <td><input type="checkbox"/> 19.5"</td> </tr> </tbody> </table>		Your Rear Tire Size	Rear Seat Height								24"x1"(540)	<input type="checkbox"/> 16.0"	<input type="checkbox"/> 16.5"	<input type="checkbox"/> 17.0"	<input type="checkbox"/> 17.5"	<input type="checkbox"/> 18.0"	<input type="checkbox"/> 18.5"			24"x1.2"(540)		<input type="checkbox"/> 16.5"	<input type="checkbox"/> 17.0"	<input type="checkbox"/> 17.5"	<input type="checkbox"/> 18.0"	<input type="checkbox"/> 18.5"	<input type="checkbox"/> 19.0"		24"x1 3/8"(540)		<input type="checkbox"/> 16.5"	<input type="checkbox"/> 17.0"	<input type="checkbox"/> 17.5"	<input type="checkbox"/> 18.0"	<input type="checkbox"/> 18.5"	<input type="checkbox"/> 19.0"		25"x1"(559)		<input type="checkbox"/> 16.5"	<input type="checkbox"/> 17.0"	<input type="checkbox"/> 17.5"	<input type="checkbox"/> 18.0"	<input type="checkbox"/> 18.5"	<input type="checkbox"/> 19.0"		25"x1.2"(559)			<input type="checkbox"/> 17.0"	<input type="checkbox"/> 17.5"	<input type="checkbox"/> 18.0"	<input type="checkbox"/> 18.5"	<input type="checkbox"/> 19.0"		24"x2"(540)			<input type="checkbox"/> 17.0"	<input type="checkbox"/> 17.5"	<input type="checkbox"/> 18.0"	<input type="checkbox"/> 18.5"	<input type="checkbox"/> 19.0"		26"x1"(590)			<input type="checkbox"/> 17.0"	<input type="checkbox"/> 17.5"	<input type="checkbox"/> 18.0"	<input type="checkbox"/> 18.5"	<input type="checkbox"/> 19.0"		25"x1.95"(559)				<input type="checkbox"/> 17.5"	<input type="checkbox"/> 18.0"	<input type="checkbox"/> 18.5"	<input type="checkbox"/> 19.0"	<input type="checkbox"/> 19.5"
Your Rear Tire Size	Rear Seat Height																																																																																		
24"x1"(540)	<input type="checkbox"/> 16.0"	<input type="checkbox"/> 16.5"	<input type="checkbox"/> 17.0"	<input type="checkbox"/> 17.5"	<input type="checkbox"/> 18.0"	<input type="checkbox"/> 18.5"																																																																													
24"x1.2"(540)		<input type="checkbox"/> 16.5"	<input type="checkbox"/> 17.0"	<input type="checkbox"/> 17.5"	<input type="checkbox"/> 18.0"	<input type="checkbox"/> 18.5"	<input type="checkbox"/> 19.0"																																																																												
24"x1 3/8"(540)		<input type="checkbox"/> 16.5"	<input type="checkbox"/> 17.0"	<input type="checkbox"/> 17.5"	<input type="checkbox"/> 18.0"	<input type="checkbox"/> 18.5"	<input type="checkbox"/> 19.0"																																																																												
25"x1"(559)		<input type="checkbox"/> 16.5"	<input type="checkbox"/> 17.0"	<input type="checkbox"/> 17.5"	<input type="checkbox"/> 18.0"	<input type="checkbox"/> 18.5"	<input type="checkbox"/> 19.0"																																																																												
25"x1.2"(559)			<input type="checkbox"/> 17.0"	<input type="checkbox"/> 17.5"	<input type="checkbox"/> 18.0"	<input type="checkbox"/> 18.5"	<input type="checkbox"/> 19.0"																																																																												
24"x2"(540)			<input type="checkbox"/> 17.0"	<input type="checkbox"/> 17.5"	<input type="checkbox"/> 18.0"	<input type="checkbox"/> 18.5"	<input type="checkbox"/> 19.0"																																																																												
26"x1"(590)			<input type="checkbox"/> 17.0"	<input type="checkbox"/> 17.5"	<input type="checkbox"/> 18.0"	<input type="checkbox"/> 18.5"	<input type="checkbox"/> 19.0"																																																																												
25"x1.95"(559)				<input type="checkbox"/> 17.5"	<input type="checkbox"/> 18.0"	<input type="checkbox"/> 18.5"	<input type="checkbox"/> 19.0"	<input type="checkbox"/> 19.5"																																																																											
9. CENTER OF GRAVITY	<input type="checkbox"/> 3.5" <input type="checkbox"/> 4.0" <input type="checkbox"/> 4.5" <input type="checkbox"/> 5.0" <input type="checkbox"/> 5.5" <input type="checkbox"/> 6.0" <input type="checkbox"/> 6.5" <input type="checkbox"/> 7.0" 	\$ STD																																																																																	
10. CAMBER ANGLE	<input type="checkbox"/> 2° <input type="checkbox"/> 4° 	\$ STD																																																																																	
11. FROM GROUND TO TOP OF FOOTREST OR FROM SEAT SLING TO TOP OF FOOTREST	 <p style="text-align: center;">* Only Choose One Measurement</p>																																																																																		
12. INSIDE WHEEL CLEARANCE	<input type="checkbox"/> 3/4" <input type="checkbox"/> 1" <input type="checkbox"/> 1 1/4" <input type="checkbox"/> 1 1/2" <input type="checkbox"/> 1 3/4" <input type="checkbox"/> 2" *3/4" Inside wheel clearance not available with D's Locks	\$ STD																																																																																	
13. REAR SUSPENSION RATING	<input type="checkbox"/> Set up 50psi (For 80 lbs-110 lbs weight) <input type="checkbox"/> Set up 100psi (For 170 lbs-200 lbs weight) <input type="checkbox"/> Set up 60psi (For 110 lbs-140 lbs weight) <input type="checkbox"/> Set up 120psi (For 200 lbs-230 lbs weight) <input type="checkbox"/> Set up 80psi (For 140 lbs-170 lbs weight) <input type="checkbox"/> Set up 150psi (For 230 lbs-250 lbs weight)	\$ STD																																																																																	
*SHOCK PUMP	<input type="checkbox"/> Fox Racing Shox 300 HP Pump <input type="checkbox"/> Omit Pump *Customer Needs Pump To Adjust Rear Suspension Rating	\$ STD \$ -50																																																																																	
NOTE																																																																																			
	Sub Total Section B 1/2	\$																																																																																	
	Sub Total Section B 2/2	\$																																																																																	
	Total Section B	\$																																																																																	

C WHEELS, TIRES & CASTERS, FORKS 1/2

WHEELS																	
Standard Radial Spoke Wheel	<input type="checkbox"/> 24" (540) Only	\$ STD															
Heat-Treated Wheel	<input type="checkbox"/> 24" (540) <input type="checkbox"/> 25" (559) <input type="checkbox"/> 26" (590)	\$ NCO															
Cross Knot Laced Spokes	<input type="checkbox"/> 24" (540) <input type="checkbox"/> 25" (559) <input type="checkbox"/> 26" (590)	\$ NCO															
Twister Super Strength Wheel	<input type="checkbox"/> 24" (540) <input type="checkbox"/> 25" (559) <input type="checkbox"/> 26" (590)	\$ NCO															
Spinergy SLX 24 Spokes	<input type="checkbox"/> 24" (540) <input type="checkbox"/> 25" (559) <input type="checkbox"/> 26" (590) Spoke Color <input type="checkbox"/> Black With Silver Hub <input type="checkbox"/> Red With Black Hub <input type="checkbox"/> Yellow With Black Hub <input type="checkbox"/> Blue With Black Hub <input type="checkbox"/> White With Black Hub <input type="checkbox"/> Neon Green With Black Hub <input type="checkbox"/> Pink With Black Hub <input type="checkbox"/> Orange With Black Hub <input type="checkbox"/> Custom Color Spoke Pattern <table border="1" style="display: inline-table; margin-left: 20px;"> <tr> <td colspan="2"></td> <td>Left Wheel</td> <td>Right Wheel</td> </tr> <tr> <td rowspan="2">Spokes Color</td> <td>Inside</td> <td></td> <td></td> </tr> <tr> <td>Outside</td> <td></td> <td></td> </tr> <tr> <td colspan="2">Hub Color</td> <td><input type="checkbox"/> Black/<input type="checkbox"/> Silver</td> <td><input type="checkbox"/> Black/<input type="checkbox"/> Silver</td> </tr> </table>			Left Wheel	Right Wheel	Spokes Color	Inside			Outside			Hub Color		<input type="checkbox"/> Black/ <input type="checkbox"/> Silver	<input type="checkbox"/> Black/ <input type="checkbox"/> Silver	\$ NCO (+\$50)
		Left Wheel	Right Wheel														
Spokes Color	Inside																
	Outside																
Hub Color		<input type="checkbox"/> Black/ <input type="checkbox"/> Silver	<input type="checkbox"/> Black/ <input type="checkbox"/> Silver														
Spinergy X Laced 24 Spokes	<input type="checkbox"/> 24" (540) <input type="checkbox"/> 25" (559) <input type="checkbox"/> 26" (590) <input type="checkbox"/> Black With Silver Hub <input type="checkbox"/> Red With Black Hub <input type="checkbox"/> Yellow With Black Hub <input type="checkbox"/> Blue With Black Hub <input type="checkbox"/> White With Black Hub <input type="checkbox"/> Neon Green With Black Hub <input type="checkbox"/> Pink With Black Hub <input type="checkbox"/> Orange With Black Hub <input type="checkbox"/> Custom Color Spoke Pattern <table border="1" style="display: inline-table; margin-left: 20px;"> <tr> <td colspan="2"></td> <td>Left Wheel</td> <td>Right Wheel</td> </tr> <tr> <td rowspan="2">Spokes Color</td> <td>Inside</td> <td></td> <td></td> </tr> <tr> <td>Outside</td> <td></td> <td></td> </tr> <tr> <td colspan="2">Hub Color</td> <td><input type="checkbox"/> Black/<input type="checkbox"/> Silver</td> <td><input type="checkbox"/> Black/<input type="checkbox"/> Silver</td> </tr> </table>			Left Wheel	Right Wheel	Spokes Color	Inside			Outside			Hub Color		<input type="checkbox"/> Black/ <input type="checkbox"/> Silver	<input type="checkbox"/> Black/ <input type="checkbox"/> Silver	\$ 55 (+\$50)
		Left Wheel	Right Wheel														
Spokes Color	Inside																
	Outside																
Hub Color		<input type="checkbox"/> Black/ <input type="checkbox"/> Silver	<input type="checkbox"/> Black/ <input type="checkbox"/> Silver														
HANDRIMS																	
Type	<input type="checkbox"/> Standard For 24", 25" or 26" Wheel Anodized Black <input type="checkbox"/> Vinyl Coated For 24", 25", 26" Wheel <input type="checkbox"/> Natural Fit For 24", 25" Wheel <ul style="list-style-type: none"> <input type="checkbox"/> Standard Grip (Not available with short tabs. Not available with Y-360 Billet Wheels, X-Core, Topolino Wheels, Mag Wheels) <input type="checkbox"/> Super Grip (Not available with short tabs. Not available with Y-360 Billet Wheels, X-Core, Topolino Wheels, Mag Wheels) <input type="checkbox"/> Without Thumb Grip (Not available with Y-360 Billet Wheels, Not available with Mag Wheels) <input type="checkbox"/> Natural Fit (LT) For 24", 25" Wheel <ul style="list-style-type: none"> <input type="checkbox"/> Standard Grip (Not available with short tabs. Not available with Y-360 Billet Wheels, X-Core, Topolino Wheels, Mag Wheels) <input type="checkbox"/> Super Grip (Not available with short tabs. Not available with Y-360 Billet Wheels, X-Core, Topolino Wheels, Mag Wheels) <input type="checkbox"/> Without Thumb Grip (Not available with Y-360 Billet Wheels, Not available with Mag Wheels) <input type="checkbox"/> The Surge Handrims * Not available with Y-360 Billet Wheels * w / X-Core Wheels required Installation fee (\$30) flat fee <input type="checkbox"/> The Surge Handrims (LT) * Not available with Y-360 Billet Wheels * w / X-Core Wheels required Installation fee (\$30) flat fee <input type="checkbox"/> Spinergy Flex Rim Available only on 24" and 25" Spinergy LX.	\$ STD \$ 142 \$ 295 \$ 340 \$ 270 \$ 325 \$ 370 \$ 300 \$ 315 \$ 340 \$ 495															
TAB LENGTH	<input type="checkbox"/> Long Tab (STD inside clearance 3/4") * Not available with X-Core Wheels <input type="checkbox"/> Short Tab (Inside clearance 1/2") *Not available with Natural Fit Handrim with thumb grip <input type="checkbox"/> Short Tab (Set closest to wheel cut off excess)	\$ STD \$ STD \$ 15															

C WHEELS, TIRES & CASTERS, FORKS 2/2

TIRES			
<input type="checkbox"/> High Pressure Tire	<input type="checkbox"/> 24"x1", <input type="checkbox"/> 25"x1" or <input type="checkbox"/> 26"x1"	Gray Tire with black wall Only	\$ STD
<input type="checkbox"/> High Pressure Tire	<input type="checkbox"/> 24"x1", <input type="checkbox"/> 25"x1" or <input type="checkbox"/> 26"x1"	<input type="checkbox"/> Blue <input type="checkbox"/> Red	\$ 65
<input type="checkbox"/> Schwalbe Air Born Tire	<input type="checkbox"/> 24"x1.2", <input type="checkbox"/> 25"x1.2"		\$ NCO
<input type="checkbox"/> Schwalbe Marathon Plus High Pressure Tire	<input type="checkbox"/> 24"x1", <input type="checkbox"/> 25"x1" or <input type="checkbox"/> 26"x1"	Black Only	\$ NCO
<input type="checkbox"/> Solid Tire	<input type="checkbox"/> 24"x1", <input type="checkbox"/> 25"x1" or <input type="checkbox"/> 26"x1"	<input type="checkbox"/> Dark Gray <input type="checkbox"/> Black	\$ 90

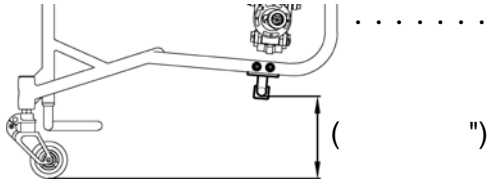
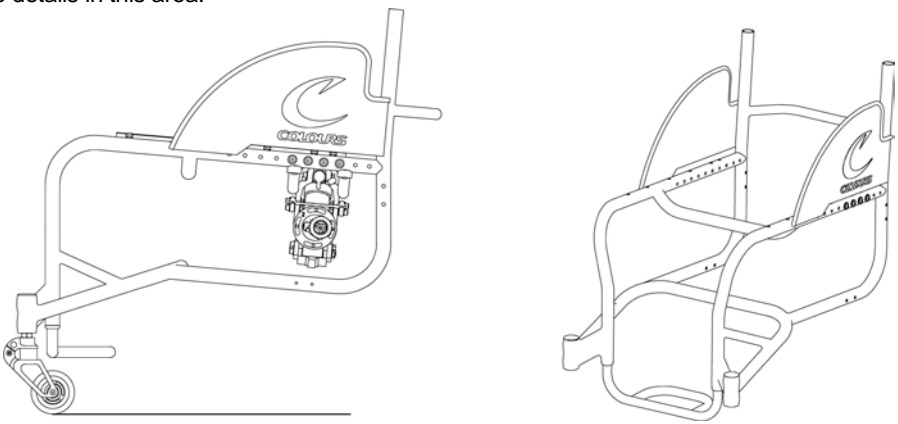
CASTERS			
<input type="checkbox"/> Customer to Supply Skate Wheels			\$ STD
	▶ Please give us the wheel diameter		

SIZE	TIRE WIDTH	HUB COLOR	TIRE COLOR	DESCRIPTION	
<input type="checkbox"/> 3"	1"	Black Hub	Black Tire Only	Polyeurathane	\$ NCO
<input type="checkbox"/> 3"	1"	Plastic Black Hub	Clear Tire Only	Lighted, Polyeurathane	\$ 65
<input type="checkbox"/> 3"	1"	Red Hub	Red Tire Only	Polyeurathane	\$ NCO
<input type="checkbox"/> 3"	1"	Black Hub	Clear Tire Only	Polyeurathane	\$ NCO
<input type="checkbox"/> 3"	1"	Aluminum Silver Hub	Black Tire Only	Made By Frog Legs	\$ NCO
<input type="checkbox"/> 3"	1"	Aluminum Black Hub	Black Tire Only	Made By Frog Legs	\$ NCO
<input type="checkbox"/> 3"	1.5"	Aluminum Silver Hub	Black Tire Only	Soft Roll Made By Frog Legs	\$ NCO
<input type="checkbox"/> 3"	1.5"	Aluminum Black Hub	Black Tire Only	Soft Roll Made By Frog Legs	\$ NCO

FORKS			
<input type="checkbox"/> Frog Leg Suspension Forks	Std 1" Wide (For 3", 4" x 1" width Caster and 5" STD Caster, 5" lighted Caster)	Color <input type="checkbox"/> Anodized Black <input type="checkbox"/> Anodized Silver	\$ NCO
	▶ End User Weight Required: _____ lbs		
<input type="checkbox"/> Frog Leg Suspension Forks	1.5" Wide (For 3", 4" x 1.5" width Caster and 5" x 1" & 5" x 1.5" Casters)	Color <input type="checkbox"/> Anodized Black <input type="checkbox"/> Anodized Silver	\$ NCO
	▶ End User Weight Required: _____ lbs		

Sub Total Section C 1/2	\$
Sub Total Section C 2/2	\$
Total Section C	\$

D COMPONENTS

WHEEL LOCKS		
<input type="checkbox"/> NEW Compact Push to Lock / Anodized Black Only	<input type="checkbox"/> w/ 2" Extension Handle (\$65up)	\$ 110
<input type="checkbox"/> NEW Compact Scissor Lock / Anodized Black Only		\$ 110
<input type="checkbox"/> D's Locks		\$ 980
PUSH HANDLES		
<input type="checkbox"/> Integrated w/Fixed Backrest Height / Anodized Black Only		\$ STD
<input type="checkbox"/> Bolt-on / Anodized Black Only	Specify Height from floor -()	\$ 142
<input type="checkbox"/> Bolt-on w/Quick Release / Anodized Black Only	Specify Height from floor -()	\$ 190
<input type="checkbox"/> NEW Height Adj. / Anodized Black Only	Specify Maximum height from floor -()	\$ 295
ANTI-TIPPERS		
<input type="checkbox"/> Anti-Tippers (pair) w/ Quick Release / Anodized Black Only		\$ 112
MISCELLANEOUS		
<input type="checkbox"/> Frame Protectors / Black Leather/Zipper Type		\$ 78
<input type="checkbox"/> Seat Belt w/Auto Buckle (BP) 1.5" Black Belt Only		\$ 69
<input type="checkbox"/> Ratchet Strap	<input type="checkbox"/> Small 8" Pads <input type="checkbox"/> Medium 10" Pads <input type="checkbox"/> Large 12" Pads	\$ 125
<input type="checkbox"/> Grind Bar	► Must Specify Measurement 	\$ 150
UPHOLSTERY CHOICE & COLOR		
*Positioning Back Available. Please see Section E		
<input type="checkbox"/> Standard Adjustable Ht Backrest	Black Only	\$ STD
<input type="checkbox"/> Adjustable Tension Backrest	Black Only (*Not available with 8" Backrest Height)	\$ 135
Custom Options	<input type="checkbox"/> Fabrics for Fun For Std. or Adj. Style <input type="checkbox"/> 001 <input type="checkbox"/> 002 <input type="checkbox"/> 003 <input type="checkbox"/> 004 <input type="checkbox"/> 006 <input type="checkbox"/> 010 <input type="checkbox"/> 011 (\$95 up charge) <input type="checkbox"/> 014 <input type="checkbox"/> 015 <input type="checkbox"/> 016 <input type="checkbox"/> 017 <input type="checkbox"/> 018 <input type="checkbox"/> 020 <input type="checkbox"/> 021 <input type="checkbox"/> 022 <input type="checkbox"/> 023 <input type="checkbox"/> 024 <input type="checkbox"/> 025 <input type="checkbox"/> 026 <input type="checkbox"/> 027 <input type="checkbox"/> 028	
	<input type="checkbox"/> Backrest Leather Trim (outside panels)	(\$77 up charge)
<input type="checkbox"/> Calf Strap	<input type="checkbox"/> Black <input type="checkbox"/> Matching Fabric (\$55 up charge) -Select Fabric()	\$ 24
<input type="checkbox"/> Matching Fabric on Padded Side Guards	-Select Fabric ()	\$ 210
If you want additional custom components Please write down the details in this area.		
		\$ CFP
Total Section D \$		

E CHAIR OPTIONS 1/2

SEAT CUSHION					
SUPRACOR® WHEELCHAIR CUSHIONS					
Stimulite® Contoured Cushion *Black Upholstery only	<input type="checkbox"/> W14"xD16" (CD1416)	E2603 \$ 525		
	<input type="checkbox"/> W16"xD16" (CD1616)	E2603 \$ 525		
	<input type="checkbox"/> W16"xD18" (CD1618)	E2603 \$ 525		
	<input type="checkbox"/> W18"xD16" (CD1816)	E2603 \$ 525		
	<input type="checkbox"/> W18"xD18" (CD1818)	E2603 \$ 525		
	<input type="checkbox"/> W18"xD20" (CD1820)	E2603 \$ 540		
	<input type="checkbox"/> W20"xD16" (CD2016)	E2603 \$ 540		
	<input type="checkbox"/> W20"xD18" (CD2018)	E2603 \$ 540		
	<input type="checkbox"/> W20"xD20" (CD2020)	E2603 \$ 555		
			<input type="checkbox"/> Extra Sensitive (\$30 up charge) <input type="checkbox"/> Sling Style Bottom (\$45 up charge) <input type="checkbox"/> Custom Size W(") x D(") (-\$ CFP)		
Stimulite® Slimline Cushion *Black Upholstery only	<input type="checkbox"/> W14"xD16" (SM1416)	E2603 \$ 495		
	<input type="checkbox"/> W16"xD16" (SM1616)	E2603 \$ 495		
	<input type="checkbox"/> W16"xD18" (SM1618)	E2603 \$ 495		
	<input type="checkbox"/> W18"xD18" (SM1818)	E2603 \$ 495		
	<input type="checkbox"/> W18"xD20" (SM1820)	E2603 \$ 495		
	<input type="checkbox"/> W20"xD16" (SM2016)	E2603 \$ 510		
	<input type="checkbox"/> W20"xD18" (SM2018)	E2603 \$ 510		
	<input type="checkbox"/> W20"xD20" (SM2020)	E2603 \$ 510		
			<input type="checkbox"/> Extra Sensitive (\$30 up charge) <input type="checkbox"/> Sling Style Bottom (\$45 up charge) <input type="checkbox"/> Custom Size W(") x D(") (-\$ CFP)		
	Stimulite® Corbee Pediatric *Black Upholstery only	<input type="checkbox"/> W10"xD10" (PD1010)	E2603 \$ 450	
<input type="checkbox"/> W12"xD12" (PD1212)		E2603 \$ 450		
<input type="checkbox"/> W14"xD14" (PD1414)		E2603 \$ 450		
		<input type="checkbox"/> Extra Sensitive (\$30 up charge) <input type="checkbox"/> Sling Style Bottom (\$45 up charge) <input type="checkbox"/> Custom Size W(") x D(") (-\$ CFP)			
ROHO WHEELCHAIR CUSHIONS					
Choose Size	<input type="checkbox"/> 4" HIGH PROFILE® QUADTRO SELECT® CUSHION		*Black Upholstery	E2622-2623 \$ 525	
	<input type="checkbox"/> W12"xD12"	<input type="checkbox"/> W12"xD13"	<input type="checkbox"/> W13"xD13"	<input type="checkbox"/> W13"xD15"	
	<input type="checkbox"/> W15"xD16"	<input type="checkbox"/> W15"xD18"	<input type="checkbox"/> W16"xD15"	<input type="checkbox"/> W16"xD16"	
	<input type="checkbox"/> W18"xD16"	<input type="checkbox"/> W18"xD18"	<input type="checkbox"/> W18"xD20"	<input type="checkbox"/> W18"xD22"	
	<input type="checkbox"/> W20"xD22"	<input type="checkbox"/> W22"xD18"	<input type="checkbox"/> W22"xD20"	<input type="checkbox"/> W22"xD22"	
		<input type="checkbox"/> Custom Size W(") x D(") (+\$85)			
Choose Size	<input type="checkbox"/> 3" MID PROFILE® QUADTRO SELECT® CUSHION		*Black Upholstery only	E2622-2623 \$ 525	
	<input type="checkbox"/> W15"xD15"	<input type="checkbox"/> W15"xD16"	<input type="checkbox"/> W16"xD16"	<input type="checkbox"/> W16"xD18"	
		<input type="checkbox"/> Custom Size W(") x D(") (+\$85)			
Choose Size	<input type="checkbox"/> 2" LOW PROFILE® QUADTRO SELECT® CUSHION		*Black Upholstery only	E2622-2623 \$ 525	
	<input type="checkbox"/> W12"xD12"	<input type="checkbox"/> W12"xD13"	<input type="checkbox"/> W13"xD13"	<input type="checkbox"/> W13"xD15"	
	<input type="checkbox"/> W15"xD16"	<input type="checkbox"/> W15"xD18"	<input type="checkbox"/> W16"xD15"	<input type="checkbox"/> W16"xD16"	
	<input type="checkbox"/> W18"xD16"	<input type="checkbox"/> W18"xD18"	<input type="checkbox"/> W18"xD20"	<input type="checkbox"/> W20"xD16"	
	<input type="checkbox"/> W20"xD16"	<input type="checkbox"/> W20"xD18"	<input type="checkbox"/> W20"xD20"	<input type="checkbox"/> W20"xD20"	
		<input type="checkbox"/> Custom Size W(") x D(") (+\$85)			
Choose Size	<input type="checkbox"/> 2" NEXUS SPIRIT® CUSHION		*Black Upholstery only	E2622 \$ 525	
	<input type="checkbox"/> W14"xD14"	<input type="checkbox"/> W14"xD16"	<input type="checkbox"/> W15"xD15"	<input type="checkbox"/> W16"xD16"	
		<input type="checkbox"/> W16"xD18" <input type="checkbox"/> W17"xD17" <input type="checkbox"/> W18"xD16"			
		* Custom Size Not Available			
STAR CUSHIONS					
Galaxy Cushion *Black Upholstery only	<input type="checkbox"/> W14"xD14" (GXY 1414-2)	<input type="checkbox"/> W14"xD16" (GXY 1416-2)	Choose Zoning Options <input type="checkbox"/> Standard - Dual Valve <input type="checkbox"/> Dual Valve - Front to Back <input type="checkbox"/> Four Valve <input type="checkbox"/> Simple - Single Valve <input type="checkbox"/> Four Valve - Enhanced <input type="checkbox"/> Four Valve - Front to Back	E2624 \$ 498	
	<input type="checkbox"/> W16"xD14" (GXY 1614-2)	<input type="checkbox"/> W16"xD16" (GXY 1616-2)			
	<input type="checkbox"/> W16"xD18" (GXY 1618-2)	<input type="checkbox"/> W18"xD16" (GXY 1816-2)			
	<input type="checkbox"/> W18"xD18" (GXY 1818-2)	<input type="checkbox"/> W18"xD20" (GXY 1820-2)			
	<input type="checkbox"/> W20"xD16" (GXY 2016-2)	<input type="checkbox"/> W20"xD18" (GXY 2018-2)			
	<input type="checkbox"/> W20"xD20" (GXY 2020-2)				
THE CURVE CUSHION					
*Black Upholstery only	<input type="checkbox"/> W10"xD10"	<input type="checkbox"/> W10"xD11"	<input type="checkbox"/> W10"xD11"	<input type="checkbox"/> W10"xD12"	
	<input type="checkbox"/> W12"xD13"	<input type="checkbox"/> W12"xD14"	<input type="checkbox"/> W13"xD11"	<input type="checkbox"/> W13"xD12"	
	<input type="checkbox"/> W14"xD14"	<input type="checkbox"/> W14"xD15"	<input type="checkbox"/> W14"xD16"	<input type="checkbox"/> W15"xD14"	
	<input type="checkbox"/> W16"xD14"	<input type="checkbox"/> W16"xD15"	<input type="checkbox"/> W16"xD16"	<input type="checkbox"/> W16"xD17"	
	<input type="checkbox"/> W17"xD17"	<input type="checkbox"/> W17"xD18"	<input type="checkbox"/> W18"xD16"	<input type="checkbox"/> W18"xD17"	
	<input type="checkbox"/> W12"xD12"	<input type="checkbox"/> W13"xD14"	<input type="checkbox"/> W15"xD15"	<input type="checkbox"/> W15"xD16"	
<input type="checkbox"/> W16"xD18"	<input type="checkbox"/> W17"xD16"				
NOTE					

E CHAIR OPTIONS 2/2

POSITIONING BACK			
<p>*Note : Actual height of the backrest will increase 2" or more.</p> 			
<p>ADI CARBON BACKREST (Support Contour-ACTIVE 2.5") *Not Available with Welded Side Guards</p> <p>Mounting Hardware: <input type="checkbox"/> 2 Point Pro <input type="checkbox"/> Quick Release</p>			
Height	<input type="checkbox"/> LOW (10" Tall) *Backrest Height requires 12" or more *Available 13"-19" width Width (") E2613 \$ 745 <input type="checkbox"/> Medium (13" Tall) *Backrest Height requires 15" or more *Available 13"-19" width Width (") E2613 \$ 815 <input type="checkbox"/> Standard (16" Tall) *Backrest Height requires 18" or more *Available 13"-19" width Width (") E2613 \$ 880 <input type="checkbox"/> Custom Size (" Tall) x (" width) E2613 \$ CFP		
<p>ADI ALUMINUM BACKREST (Support Contour-ACTIVE 2.5") *Not Available with Welded Side Guards</p> <p>Mounting Hardware: <input type="checkbox"/> 2 Point Pro <input type="checkbox"/> Quick Release</p>			
Height	<input type="checkbox"/> LOW (10" Tall) *Backrest Height requires 12" or more *Available 10"-20" width Width (") E2613 \$ 610 <input type="checkbox"/> Medium (13" Tall) *Backrest Height requires 15" or more *Available 12"-20" width Width (") E2613 \$ 625 <input type="checkbox"/> Standard (16" Tall) *Backrest Height requires 18" or more *Available 14"-20" width Width (") E2613 \$ 640 <input type="checkbox"/> Tall (18" Tall) *Backrest Height requires 20" or more *Available 16"-20" width Width (") E2613 \$ 655 <input type="checkbox"/> X-Tall (20" Tall) *Backrest Height requires 22" or more *Available 16"-20" width Width (") E2613 \$ 670 <input type="checkbox"/> Custom Size (" Tall) x (" width) E2613 \$ CFP		
<p>ADI ALUMINUM BACKREST (Support Contour-DEEP 4") *Not Available with Welded Side Guards *Not Available with Lateral Supports</p> <p>Mounting Hardware: <input type="checkbox"/> 2 Point Pro <input type="checkbox"/> Quick Release</p>			
Height	<input type="checkbox"/> LOW (10" Tall) *Backrest Height requires 12" or more *Available 10"-20" width Width (") E2615 \$ 710 <input type="checkbox"/> Medium (13" Tall) *Backrest Height requires 15" or more *Available 12"-20" width Width (") E2615 \$ 725 <input type="checkbox"/> Standard (16" Tall) *Backrest Height requires 18" or more *Available 14"-20" width Width (") E2615 \$ 740 <input type="checkbox"/> Tall (18" Tall) *Backrest Height requires 20" or more *Available 16"-20" width Width (") E2615 \$ 755 <input type="checkbox"/> X-Tall (20" Tall) *Backrest Height requires 22" or more *Available 16"-20" width Width (") E2615 \$ 770 <input type="checkbox"/> Custom Size (" Tall) x (" width) E2615 \$ CFP		
<p>ADI LATERAL SUPPORTS (Lateral Supports are compatible with only active 2.5" ADI positioning back.)</p> <p><input type="checkbox"/> Stationary Pad Pad Size <input type="checkbox"/> Small (3" H x 3" D) <input type="checkbox"/> Medium(3" H x 4" D) <input type="checkbox"/> Large(4.5" H x 4.5" D) <input type="checkbox"/> Large(4" H x 6" D)</p> <p> <input type="checkbox"/> Pair \$ 320</p> <p> <input type="checkbox"/> Left side only or <input type="checkbox"/> Right side only \$ 160</p> <p><input type="checkbox"/> Swing-Out Pad Size <input type="checkbox"/> Small (3" H x 3" D) <input type="checkbox"/> Medium(3" H x 4" D) <input type="checkbox"/> Large(4.5" H x 4.5" D) <input type="checkbox"/> Large(4" H x 6" D)</p> <p> <input type="checkbox"/> Pair \$ 520</p> <p> <input type="checkbox"/> Left side only or <input type="checkbox"/> Right side only \$ 260</p>			
OTHER			
<input type="checkbox"/> ADI Transfer Board <input type="checkbox"/> 21" (ADV21) <input type="checkbox"/> 24" (ADV24) <input type="checkbox"/> 29"			\$ 62
<input type="checkbox"/> ADI Push and Transfer Gloves Leather (one size fits)			\$ 60
<input type="checkbox"/> ADI Carbon Solid Seat (Wide: 18" Max, Depth: 20") ※Colours Side Guards Not Available with ADI Carbon Solid Seat			\$ 625
With / <input type="checkbox"/> ADI Folding Carbon Side Guard			\$ 400
With / <input type="checkbox"/> ADI Fixed Carbon Side Guard			\$ 375
<p>VARILITE® Seating Systems Available</p> <p style="text-align: right;">Please visit for all options. www.varilite.com</p>			CFP
NOTE			
Sub Total Section E 1/2			\$
Sub Total Section E 2/2			\$
Total Section E			\$

F SPECIAL PARTS COLORS (Please allow an additional 1-2 weeks delivery)

PARTS COLORS

Powder-Coated	Gloss Black	Twilight Flake	Yellow	Magenta	Fire Engine Red	White
	Candy Blue	Candy Purple	Candy Green	Candy Red	Candy Raspberry	Cobalt Blue
	Matte Gray	Matte Purple	Matte Blue	Matte Green	Matte Black	Matte Red
			Orange Sparkle	Mellon Yellow	Gun Smoke Silver	Pigeon Blue
	Granny Sparkle Green	Sparkle Sky Blue	Vermilion	Reed Green	Blue Lilac	

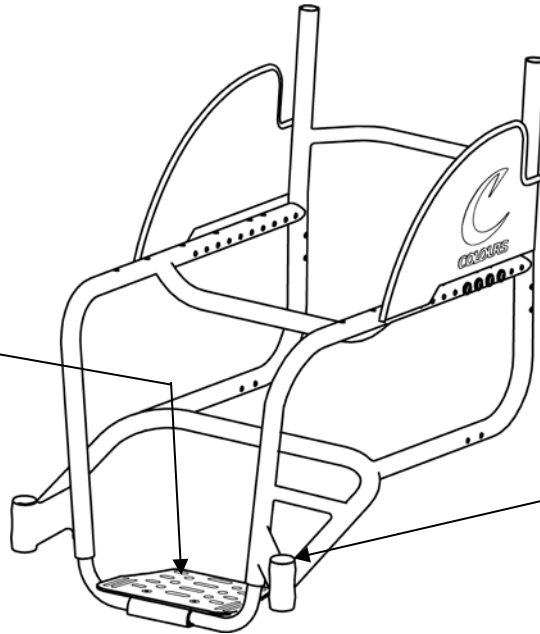
Special Colors Polished Aluminum
 24 karat Gold Plated *Please allow an additional 4 weeks delivery

Please Choose the Color for each Part

*Parts not selected will be black color. (Suspension Spring: Silver Color)

*Minimum 3 parts selected per order.

*PC=Powder-Coated



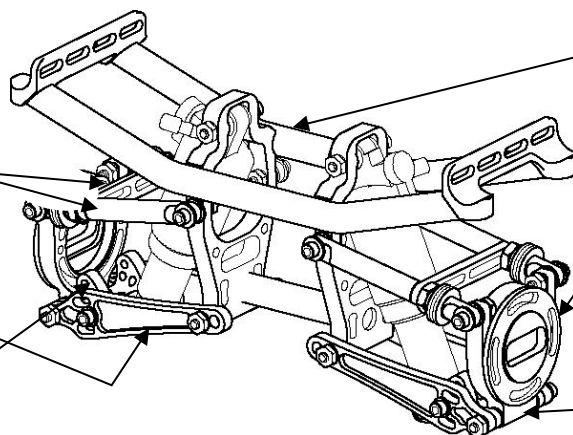
- Foot Plate**
- PC () \$45
 - Polished \$90
 - Gold Plated . . . \$CFP

- Caps**
- PC () \$20
 - Polished N/A
 - Gold Plated . . . N/A

- Upper A-Arms**
- PC () \$100
 - Polished \$300
 - Gold Plated . . . \$CFP

- Lower A-Arms**
- PC () \$100
 - Polished \$280
 - Gold Plated . . . \$CFP

- Suspension Mounts**
- PC (-----) N/A
 - Polished \$90
 - Gold Plated . . . \$CFP



- Suspension Main Frame**
- PC () \$150
 - Polished \$400
 - Gold Plated . . . \$CFP

- Camber Plate**
- PC () \$50
 - Polished \$75
 - Gold Plated . . . \$CFP

- Axle Plate**
- PC () \$60
 - Polished \$180
 - Gold Plated . . . \$CFP

Total Section F \$