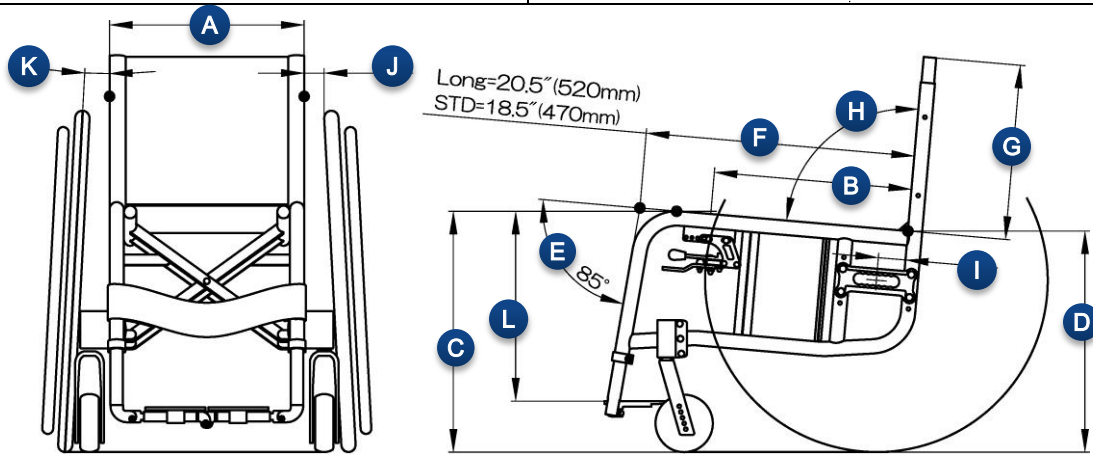


Dealer Information		Ship To Information	
Account#		Ship Via	
Dealer Name		Name	
Order Date		Address	
Ordered By		City	
Phone		Phone	
Customer Name		Ship Date	Order#



FRAME MEASUREMENTS

ACTI-FOLD K0005 (MAX CAPACITY 220lbs) **\$1,998**
*No custom measurement available on this chair.

A SEAT WIDTH

- 12.5"(32cm) 13.4"(34cm) 14.2"(36cm)
 15.0"(38cm) 15.75"(40cm) 16.5"(42cm)

STD

B SEAT DEPTH & F FRAME LENGTH

- 13.4"(34cm) 14.2"(36cm) 15.0"(38cm)

STD

MEDIUM(STD) FRAME LENGTH

- 15.75"(40cm) 16.5"(42cm)

STD

LONG FRAME LENGTH

C FRONT SEAT HEIGHT

- 16.2"(41cm) 16.5"(42cm) 17.0"(43cm) 17.3"(44cm)

STD

The front seat heights are impacted by the size of your front caster, *See chart C

Chart C(There is a plus and minus 3/8" tolerance on all dimensions.)

Your Casters & Forks	Front Seat Height				
	16.2"(41cm)	16.5"(42cm)	17.0"(43cm)	17.3"(44cm)	17.7"(45cm)
3"Caster & STD Forks	<input type="checkbox"/>	<input type="checkbox"/>	<input type="checkbox"/>	<input type="checkbox"/>	<input type="checkbox"/>
3"Caster & Frog Legs	<input type="checkbox"/>	<input type="checkbox"/>			
4"Caster & STD Forks	<input type="checkbox"/>	<input type="checkbox"/>	<input type="checkbox"/>	<input type="checkbox"/>	<input type="checkbox"/>
4"Caster & Frog Legs	<input type="checkbox"/>	<input type="checkbox"/>	<input type="checkbox"/>	<input type="checkbox"/>	<input type="checkbox"/>
4"Caster & Suspendo			<input type="checkbox"/>	<input type="checkbox"/>	<input type="checkbox"/>

*The front seat height must be 2cm or more higher than the rear seat height.

D REAR SEAT HEIGHT

STD

- 14.2"(36cm) 14.5"(37cm) 15.0"(38cm) 15.4"(39cm)
 15.7"(40cm) 16.2"(41cm)

The rear seat heights are impacted by the size of your tire. *See chart D

Chart D (There is a plus and minus 3/8" tolerance on all dimensions.)

Tire Size	Rear Seat Height					
	14.2"(36cm)	14.5"(37cm)	15.0"(38cm)	15.4"(39cm)	15.7"(40cm)	16.2"(41cm)
22"x1"(520)	<input type="checkbox"/>	<input type="checkbox"/>	<input type="checkbox"/>	<input type="checkbox"/>		
24"x1"(540)		<input type="checkbox"/>	<input type="checkbox"/>	<input type="checkbox"/>	<input type="checkbox"/>	<input type="checkbox"/>

E FRONT FRAME ANGLE

- 85° only

STD

G SEAT BACK HEIGHT

- 12.0"(30cm) 12.4"(32cm) 13.5"(34cm)
 14.0"(36cm) 15.0"(38cm) 15.75"(40cm)

STD

H BACK ANGLE

- 90° Fixed

STD

- 85° 88° 90° 93° 95° Angle Adjustable-Choose Setting

\$200

I CENTER OF GRAVITY- Adjustable

- 5/8"(1.5cm) 1"(2.5cm) 1.5"(3.5cm) 1.8"(4.5cm)

STD

- * 2.2"(5.5cm) * 2.6"(6.5cm) * 3"(7.7cm) *Long Frame Only

J REAR WHEEL SPACING (1/4" increments)

- 1"(2.5cm) 1.25"(3.0cm) 1.5"(3.5cm)

STD

- * 0.5"(1.3cm) * 0.75"(2.0cm) *Camber 3°Wheels Only

(Spinergy & Y-360 Wheels: Camber0° =1.5" or More, Camber3°=1" or More)

K REAR WHEEL CAMBER	
<input type="checkbox"/> 0°	STD
<input type="checkbox"/> 3°	\$250
L DISTANCE FROM SEAT TO FOOTREST	
Height Adjustable-Choose Setting	
<input type="checkbox"/> 12.0"(30cm) <input type="checkbox"/> 12.5"(32cm) <input type="checkbox"/> 13.0"(33cm) <input type="checkbox"/> 13.5"(34cm)	STD
<input type="checkbox"/> 14.0"(35cm) <input type="checkbox"/> 14.5"(37cm) <input type="checkbox"/> 15.0"(38cm) <input type="checkbox"/> 15.5"(39cm)	
CHAIR OPTIONS	
FOOTREST	
<input type="checkbox"/> Center Joint Folding	STD
<input type="checkbox"/> Flip-Up Folding	STD
ARMRESTS	
<input type="checkbox"/> Omit Armrests	STD
<input type="checkbox"/> Tubular Armrests Fixed -Choose Setting	\$150
<input type="checkbox"/> 11.5"(28cm) <input type="checkbox"/> 12"(30cm) <input type="checkbox"/> 12.5"(32cm)	(Distance from Seat to Armrest)
<input type="checkbox"/> Height Adj.Tubular Armrests Flip up-Choose Setting	\$300
<input type="checkbox"/> 11.5"(28cm) <input type="checkbox"/> 12"(30cm) <input type="checkbox"/> 12.5"(32cm)	(Distance from Seat to Armrest)
BACK UPHOLSTERY	
<input type="checkbox"/> Tension Adjustable w/Fabric Cushioning, Black	STD
CUSHION	
<input type="checkbox"/> High Density Latex w/Nylon Cover	STD
Thickness <input type="checkbox"/> 2" (5cm) <input type="checkbox"/> 3" (8cm)	
<input type="checkbox"/> () ()	
WHEEL LOCKS	
<input type="checkbox"/> Scissor Lock	STD
<input type="checkbox"/> Scissor Lock w/Return Spring	STD
<input type="checkbox"/> Toggle - Push/Pull to Lock	\$50
SIDE GUARDS	
<input type="checkbox"/> No Side Guards	STD
<input type="checkbox"/> Welded Side Guard (Height 9.5" x Length 12") -Choose Cover	\$150
<input type="checkbox"/> Aluminum Cover Black <input type="checkbox"/> Nylon Cover Black	
ACCESSORIES	
<input type="checkbox"/> Push Handles	\$75
<input type="checkbox"/> Push Handles-Rear Folding Back (Hinged approx 9" above seat)	\$125
<input type="checkbox"/> Anti Tips(No Folding)	\$130
<input type="checkbox"/> Anti-Tips(Folding)	\$250
<input type="checkbox"/> Frame Protectors	\$30
<input type="checkbox"/> Calf Strap	\$30
<input type="checkbox"/> Universal Net	\$50
<input type="checkbox"/> Travel Wheels	\$150
<input type="checkbox"/> Seat Belt	\$50

REAR WHEELS & HANDRIMS - with Quick Release Axles	
Standard Wheels -Choose Size & Handrims Setting	
<input type="checkbox"/> 22"(520) <input type="checkbox"/> 24"(540) (Tangent Cross Spokes)	STD
Handrim Material	
<input type="checkbox"/> Aluminum Hard Anodized Coated	STD
<input type="checkbox"/> Vinyl Coated	\$200
Handrim Distance from Wheel	
<input type="checkbox"/> 3/8" (1.0cm) <input type="checkbox"/> 5/8" (1.5cm) <input type="checkbox"/> 6/8" (2.0cm) <input type="checkbox"/> 1" (2.5cm)	STD
SPINERGY SPOX LX(12 Spokes)Wheels-Choose Size & Handrims Setting	
<input type="checkbox"/> 24"(540) Only -Choose Color <input type="checkbox"/> Black <input type="checkbox"/> White	\$895
Handrim Material	
<input type="checkbox"/> Aluminum Hard Anodized Coated	STD
<input type="checkbox"/> Vinyl Coated	\$200
Handrim Distance from Wheel	
<input type="checkbox"/> 3/8" (1.0cm) <input type="checkbox"/> 5/8" (1.5cm) <input type="checkbox"/> 6/8" (2.0cm) <input type="checkbox"/> 1" (2.5cm)	STD
Y-360 Billet Wheels Saw Blade-Style -Choose Size & Handrims Setting	
<input type="checkbox"/> 22"(520) <input type="checkbox"/> 24"(540) Pol. Aluminum Color Only	\$999
Handrim Material	
<input type="checkbox"/> Aluminum Anodized Black	STD
<input type="checkbox"/> Vinyl Coated	\$142
Handrim Distance from Wheel	
<input type="checkbox"/> 3/8" (1.0cm) <input type="checkbox"/> 5/8" (1.5cm) <input type="checkbox"/> 6/8" (2.0cm)	STD
<input type="checkbox"/> Omit Rear Wheels	-\$50
REAR TIRES & INNER TUBES	
<input type="checkbox"/> 22"x1"(25-520) Panaracer (S) Tires (w/Woods Valve)	STD
Choose Color <input type="checkbox"/> Gray <input type="checkbox"/> Blue	
<input type="checkbox"/> 24"x1"(20-540) Panaracer (S) Tires (w/Schrader Valve)	STD
Choose Color <input type="checkbox"/> Gray <input type="checkbox"/> Blue	
<input type="checkbox"/> 24"x1"(25-540)Solid Tire / Dark Gray Only	\$135
<input type="checkbox"/> 24"x1"(25-540)Schwalbe Marathon Plus / Black Only	\$99
(w/Schrader Valve)	
<input type="checkbox"/> Omit Rear Tires & Tubes	-\$10
NOTE	

FRONT FORKS & CASTER WHEELS

(3" or 4" caster only. Not Available with 5" and 7")

Standard Forks & Caster Wheels

Forks			
<input type="checkbox"/> Standard Aluminum Forks / Anodized Black			STD
<input type="checkbox"/> Suspension Forks "SUSPENDO" / Anodized Black			\$600
*SUSPENDO : 4" Caster Wheels Only			
Caster Wheels			
<input type="checkbox"/> 3" x 0.8" width	Soft Roll	Black Tire/Black Hub	STD
<input type="checkbox"/> 4" x 0.8" width	Soft Roll	Black Tire/Black Hub	STD
<input type="checkbox"/> 4" x 1.25" width	Soft Roll	Black Tire/Black Hub	STD
<input type="checkbox"/> 4" x 0.8" width	Soft Roll	Black Tire /Alum Slv. Hub	\$125
<input type="checkbox"/> 4" x 1.25" width	Soft Roll	Black Tire /Alum Slv. Hub	\$125
<input type="checkbox"/> Omit Caster Wheels			-\$20

FLOG LEGS Suspension Forks & Caster Wheels

Forks				
<input type="checkbox"/> STD (For 3", 4" x 1" width Caster)			\$499	
Choose Color	<input type="checkbox"/> Anodized Black	<input type="checkbox"/> Anodized Silver		
<input type="checkbox"/> WIDE (For 4" x 1.5" width Caster)			\$499	
Choose Color	<input type="checkbox"/> Anodized Black	<input type="checkbox"/> Anodized Silver		
Caster Wheels				
<input type="checkbox"/> 3" x 1" width	Alum Silver Hub / Black Tire		\$160	
<input type="checkbox"/> 3" x 1" width	Alum Black Hub / Black Tire		\$160	
<input type="checkbox"/> 4" x 1" width	Alum Silver Hub / Black Tire		\$160	
<input type="checkbox"/> 4" x 1" width	Alum Black Hub / Black Tire		\$160	
<input type="checkbox"/> 4" x 1.5" width	Alum Black Hub / Black Tire		\$160	
<input type="checkbox"/> 4" x 1.5" width	Composite Black Hub		\$120	
Choose Tire Color	<input type="checkbox"/> Black	<input type="checkbox"/> Yellow	<input type="checkbox"/> Blue	<input type="checkbox"/> Red
<input type="checkbox"/> 4" x 1.5" width	Aluminum Silver Hub		\$160	
Choose Tire Color	<input type="checkbox"/> Black	<input type="checkbox"/> Yellow	<input type="checkbox"/> Blue	<input type="checkbox"/> Red
<input type="checkbox"/> 4" x 1.5" width	Black Tire / Alum Black. Hub		\$160	
<input type="checkbox"/> Omit Caster Wheels				

FRAME COLOR

Anodized Coated- Choose Color

<input type="checkbox"/> Silver			STD
<input type="checkbox"/> Blue	<input type="checkbox"/> Dark Blue	<input type="checkbox"/> Gold	\$100
<input type="checkbox"/> Red	<input type="checkbox"/> Purple	<input type="checkbox"/> Pink	

Paint -Standard Colors (Color name of NISSIN)

<input type="checkbox"/> Super White(Super White)	\$150
<input type="checkbox"/> Forest Green(Forest Green)	\$150
<input type="checkbox"/> Lime Green(Blue Green)	\$150
<input type="checkbox"/> Light Purple(Pretty Purple)	\$150
<input type="checkbox"/> Light Pink(Pretty Pink)	\$150
<input type="checkbox"/> Light Blue(Pretty Blue)	\$150
<input type="checkbox"/> Pastel Green(Sugar Green)	\$150
<input type="checkbox"/> Light Silver Metallic(Silver Metallic)	\$150
<input type="checkbox"/> Dark Silver Metallic(Gunmetallic)	\$150
<input type="checkbox"/> Pearl Blue(Light Blue Pearl)	\$150
<input type="checkbox"/> Wine Red(Formula Red)	\$150
<input type="checkbox"/> Bright Orange(Vivid Orange)	\$150
<input type="checkbox"/> Pearl Yellow(Pearl Yellow)	\$150

Custom Color Paint

Call For Quote

--	--

Page 1 Grand Total

Page 2 Grand Total

Page 3 Grand Total

Order Grand Total

NOTE