

DEALER			COLOURS INFORMATION For Office Use Only		
Dealer:			Order Date: S/N:		
Account:		P.O.#:	RTS		
Ordered By:			RTS: Phone:		
Address:			Email:		
City:		State:	SHIP TO		
Phone:		Fax:	Name: Ship Via:		
Email:			Address:		
Customer Name:		State:	City: Zip:		
Customer Weight:			Phone: Fax:		
CHAIR INFORMATION			PRICE		
SPAZZ-G K0005 Max. Capacity 250Lbs			GROWTH PROGRAM \$ 550		
NOTE			Swap Over Parts \$		
<u>Main Frame : ZK55 & ZK60 High Grade A7000 Series Aluminum</u>			Total Section A \$		
<u>Main Frame : Lifetime Warranty *See warranty policy</u>			Total Section B \$		
			ORDER GRAND TOTAL \$		

This Growth Program was implemented by Colours to help assure that our youngest clients will continue to enjoy the maximum benefits from a custom fitted rigid wheelchair. All Colours products are designed to give the user maximum freedom in movement, and we know how especially important this is during the early years. The kit comes with all the parts needed to increase the dimensions of the wheelchair, including a new frame. To order your Growth Kit, please provide us with the following information:

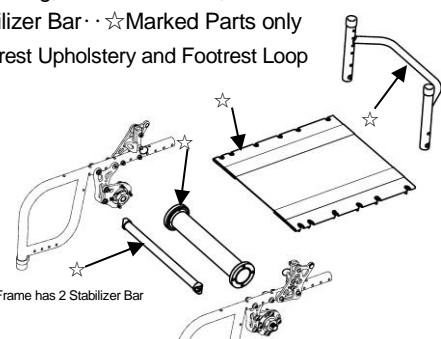
Current Frame **SERIAL#**: _____

SWAP OVER PARTS FROM CURRENT CHAIR

<input type="checkbox"/> Swap Over by Colours *Flat Fee Labor Charge	\$ 200 + Shipping
--	----------------------

A GROWTH PROGRAM

***Growth Kit Includes :**
Seat Sling, Backrest Tube, Axle Tube
Stabilizer Bar · ☆Marked Parts only
Backrest Upholstery and Footrest Loop



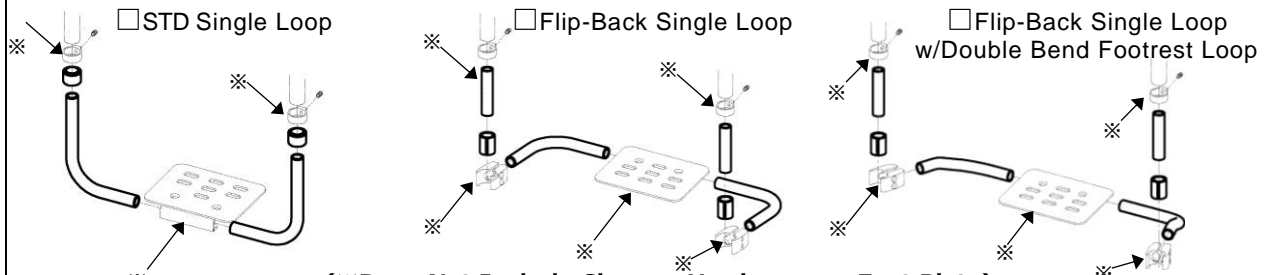
*Long Frame has 2 Stabilizer Bar

● Backrest Upholstery
Choose your backrest style ↓

<input type="checkbox"/> STD Adj. Height (Black Color) · · · · ·	\$ STD
<input type="checkbox"/> STD Adj. Height w/Integrated push handle (Black Color) · · · · ·	\$ STD
<input type="checkbox"/> Adjustable Tension Backrest (Black Color) · · · · ·	\$ 135
<input type="checkbox"/> Adjustable Tension Backrest (Black Color) w/Integrated push handle (Black Color) · · · · ·	\$ 135
<input type="checkbox"/> Custom Colored <input type="checkbox"/> Red <input type="checkbox"/> Black (\$60 up charge)	
<input type="checkbox"/> Fabrics for Fun - (#) (\$95 up charge)	
<input type="checkbox"/> Leather Trim (\$77 up charge)	

● Footrest Loop For New Chair Width Choose your current footplate style ↓

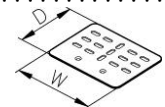
<input type="checkbox"/> STD Single Loop	<input type="checkbox"/> Flip-Back Single Loop	<input type="checkbox"/> Flip-Back Single Loop w/Double Bend Footrest Loop	
--	--	---	--



(*) Does Not Include Clamps, Hardware, or Foot Plate

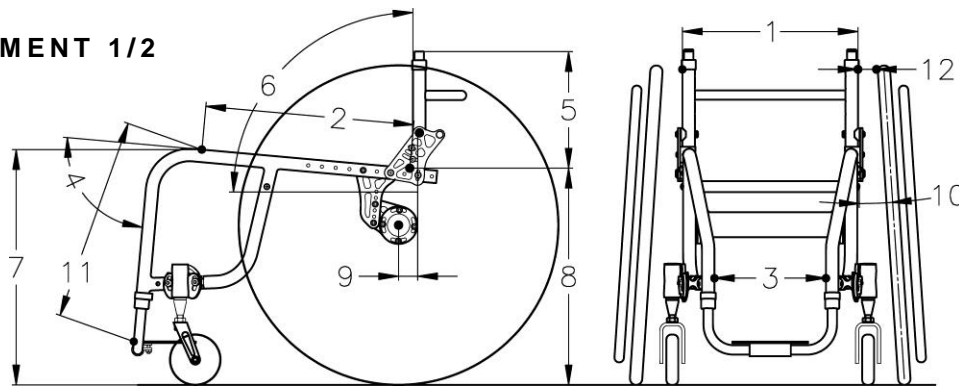
<input type="checkbox"/> w/ New Foot Plate	<input type="checkbox"/> W6.5"xD5"	<input type="checkbox"/> W8.5"xD6.5"	<input type="checkbox"/> W11.0"xD6.5"	\$ 50
--	------------------------------------	--------------------------------------	---------------------------------------	-------

Your Seat Width	Foot Plate Size
14"-15"	W6.5"xD5"
16"-18"	W8.5"xD6.5"
19"-20"	W11"xD6.5"



Total Section A \$

B MEASUREMENT 1/2



1. SEAT WIDTH	<input type="checkbox"/> 14" <input type="checkbox"/> 15" <input type="checkbox"/> 16" <input type="checkbox"/> 17" <input type="checkbox"/> 18" <input type="checkbox"/> 19" <input type="checkbox"/> 20" 	\$	STD
----------------------	---	----	-----

2. SEAT DEPTH * Only Choose One Option	WITH CURRENT FRAME			
	Please give us your current frame information	<input type="checkbox"/> Short Frame (16" Depth) Set at <input type="checkbox"/> 13" <input type="checkbox"/> 14" <input type="checkbox"/> 15" <input type="checkbox"/> 16" <input type="checkbox"/> Long Frame (19" Depth) Set at <input type="checkbox"/> 15" <input type="checkbox"/> 16" <input type="checkbox"/> 17" <input type="checkbox"/> 18" <input type="checkbox"/> 19"	\$	STD
	WITH NEW FRAME			
	Please choose your new frame length	<input type="checkbox"/> Short Frame (16" Depth) Set at <input type="checkbox"/> 13" <input type="checkbox"/> 14" <input type="checkbox"/> 15" <input type="checkbox"/> 16" <input type="checkbox"/> Long Frame (19" Depth) Set at <input type="checkbox"/> 15" <input type="checkbox"/> 16" <input type="checkbox"/> 17" <input type="checkbox"/> 18" <input type="checkbox"/> 19"	\$	450
	Frame Color <input type="checkbox"/> Powder Coated () <input type="checkbox"/> Polished (\$800 up charge)			

3. FOOTREST WIDTH	<input type="checkbox"/> STD (Seat Width Minus 5", Taper on Bottom Frame only)	\$	STD
--------------------------	---	----	-----

4. FRAME BEND ANGLE	<input type="checkbox"/> 90° only *No Custom Modifications <div style="text-align: center; border: 1px solid black; padding: 5px; margin: 5px auto; width: 80%;"> FRAME ANGLE to the Ground <table border="1" style="font-size: 8px; border-collapse: collapse; width: 100%;"> <thead> <tr> <th colspan="2" rowspan="2"></th> <th colspan="8">Your Seat Depth</th> </tr> <tr> <th>13"</th><th>14"</th><th>15"</th><th>16"</th><th>17"</th><th>18"</th><th>19"</th><th>20"</th> </tr> </thead> <tbody> <tr> <th rowspan="6" style="writing-mode: vertical-rl; transform: rotate(180deg);">Seat Bucket</th> <th>0"</th> <td>90°</td><td>90°</td><td>90°</td><td>90°</td><td>90°</td><td>90°</td><td>90°</td><td>90°</td> </tr> <tr> <th>1"</th> <td>86°</td><td>86°</td><td>86°</td><td>86°</td><td>87°</td><td>87°</td><td>87°</td><td>87°</td> </tr> <tr> <th>2"</th> <td>81°</td><td>82°</td><td>82°</td><td>83°</td><td>83°</td><td>84°</td><td>84°</td><td>84°</td> </tr> <tr> <th>3"</th> <td>77°</td><td>78°</td><td>78°</td><td>79°</td><td>80°</td><td>80°</td><td>81°</td><td>81°</td> </tr> <tr> <th>4"</th> <td>72°</td><td>73°</td><td>75°</td><td>76°</td><td>76°</td><td>77°</td><td>78°</td><td>78°</td> </tr> <tr> <th>5"</th> <td>67°</td><td>69°</td><td>71°</td><td>72°</td><td>73°</td><td>74°</td><td>75°</td><td>76°</td> </tr> </tbody> </table> </div>			Your Seat Depth								13"	14"	15"	16"	17"	18"	19"	20"	Seat Bucket	0"	90°	90°	90°	90°	90°	90°	90°	90°	1"	86°	86°	86°	86°	87°	87°	87°	87°	2"	81°	82°	82°	83°	83°	84°	84°	84°	3"	77°	78°	78°	79°	80°	80°	81°	81°	4"	72°	73°	75°	76°	76°	77°	78°	78°	5"	67°	69°	71°	72°	73°	74°	75°	76°	\$	STD
				Your Seat Depth																																																																								
		13"	14"	15"	16"	17"	18"	19"	20"																																																																			
Seat Bucket	0"	90°	90°	90°	90°	90°	90°	90°	90°																																																																			
	1"	86°	86°	86°	86°	87°	87°	87°	87°																																																																			
	2"	81°	82°	82°	83°	83°	84°	84°	84°																																																																			
	3"	77°	78°	78°	79°	80°	80°	81°	81°																																																																			
	4"	72°	73°	75°	76°	76°	77°	78°	78°																																																																			
	5"	67°	69°	71°	72°	73°	74°	75°	76°																																																																			

5. BACKREST HEIGHT	<input type="checkbox"/> Current Backrest Height (") <input type="checkbox"/> Change Backrest Height	\$	STD
	<input type="checkbox"/> 8" <input type="checkbox"/> 9" <input type="checkbox"/> 10" <input type="checkbox"/> 11" <input type="checkbox"/> 12" <input type="checkbox"/> 13" <input type="checkbox"/> 14" <input type="checkbox"/> 15" <input type="checkbox"/> 16" <input type="checkbox"/> 17" <input type="checkbox"/> 18"	\$	30

6. BACKREST ANGLE	Set at (°) to the ground *STD 90°	\$	STD
--------------------------	--	----	-----

7. FRONT SEAT HEIGHT	Please give us your current casters information	<input type="checkbox"/> Current Front Seat Height (") <input type="checkbox"/> Current Caster Size (") <input type="checkbox"/> Current Caster Forks <input type="checkbox"/> STD <input type="checkbox"/> Springs <input type="checkbox"/> Frog Legs	
-----------------------------	---	---	--

		<input type="checkbox"/> Current Front Seat Height (") or <input type="checkbox"/> New Front Seat Height w/New Caster Stems or STD Forks	\$
		<input type="checkbox"/> 17.5" <input type="checkbox"/> 18.0" <input type="checkbox"/> 18.5" <input type="checkbox"/> 19.0" <input type="checkbox"/> 19.5" <input type="checkbox"/> 20.0" <input type="checkbox"/> 20.5"	\$

Front Seat Height Ranges * =Not Available with Quick Release Caster Axle. The front seat heights are effected by the size of your front caster.		Front Seat Height							
	Your Casters & Forks	3" Caster & STD Forks	<input type="checkbox"/>	<input type="checkbox"/>	<input type="checkbox"/>	<input type="checkbox"/>	<input type="checkbox"/>	<input type="checkbox"/>	<input type="checkbox"/>
		3" Caster & Springs	<input type="checkbox"/>	<input type="checkbox"/>	<input type="checkbox"/>	<input type="checkbox"/>	<input type="checkbox"/>	<input type="checkbox"/>	<input type="checkbox"/>
		3" Caster & Frog Legs	<input type="checkbox"/>	<input type="checkbox"/>	<input type="checkbox"/>	<input type="checkbox"/>	<input type="checkbox"/>	<input type="checkbox"/>	<input type="checkbox"/>
		4" Caster & STD Forks	<input type="checkbox"/>	<input type="checkbox"/>	<input type="checkbox"/>	<input type="checkbox"/>	<input type="checkbox"/>	<input type="checkbox"/>	<input type="checkbox"/>
		4" Caster & Springs	<input type="checkbox"/>	<input type="checkbox"/>	<input type="checkbox"/>	<input type="checkbox"/>	<input type="checkbox"/>	<input type="checkbox"/>	<input type="checkbox"/>
		4" Caster & Frog Legs	<input type="checkbox"/>	<input type="checkbox"/>	<input type="checkbox"/>	<input type="checkbox"/>	<input type="checkbox"/>	<input type="checkbox"/>	<input type="checkbox"/>
		5" Caster & STD Forks	<input type="checkbox"/>	<input type="checkbox"/>	<input type="checkbox"/>	<input type="checkbox"/>	<input type="checkbox"/>	<input type="checkbox"/>	<input type="checkbox"/>
		5" Caster & Springs	<input type="checkbox"/>	<input type="checkbox"/>	<input type="checkbox"/>	<input type="checkbox"/>	<input type="checkbox"/>	<input type="checkbox"/>	<input type="checkbox"/>
	5" Caster & Frog Legs	<input type="checkbox"/>	<input type="checkbox"/>	<input type="checkbox"/>	<input type="checkbox"/>	<input type="checkbox"/>	<input type="checkbox"/>	<input type="checkbox"/>	

B FRAME COLORS & MEASUREMENT 2/2

8. REAR SEAT HEIGHT	<p>★Please give us your current tires & Axle Plates information</p>	<input type="checkbox"/> 20"x1"(451) <input type="checkbox"/> 20"x1 3/8"(451) <input type="checkbox"/> 22"x1"(501) <input type="checkbox"/> 22"x1 3/8"(501) <input type="checkbox"/> () <input type="checkbox"/> Short Axle Plate <input type="checkbox"/> Long Axle Plate										
	↓											
	<input type="checkbox"/> Current Rear Seat Height (") <input type="checkbox"/> New Rear Seat Height <input type="checkbox"/> w/ New Axle Plate if you needed		\$ STD \$ NCO \$ 75									
	Rear Seat Height Ranges											
Your Tires	Requires Short Axle Plate	Requires Long Axle Plate										
<input type="checkbox"/> 24"x1"(540)	<input type="checkbox"/> 14.5" <input type="checkbox"/> 15.0" <input type="checkbox"/> 15.5" <input type="checkbox"/> 16.0" <input type="checkbox"/> 16.5"	<input type="checkbox"/> 16.5" <input type="checkbox"/> 17.0" <input type="checkbox"/> 17.5" <input type="checkbox"/> 18.0"										
<input type="checkbox"/> 24"x1 3/8"(540)	<input type="checkbox"/> 15.0" <input type="checkbox"/> 15.5" <input type="checkbox"/> 16.0" <input type="checkbox"/> 16.5" <input type="checkbox"/> 17.0"	<input type="checkbox"/> 17.0" <input type="checkbox"/> 17.5" <input type="checkbox"/> 18.0"										
<input type="checkbox"/> 25"x1"(559)	<input type="checkbox"/> 15.5" <input type="checkbox"/> 16.0" <input type="checkbox"/> 16.5" <input type="checkbox"/> 17.0" <input type="checkbox"/> 17.5"	<input type="checkbox"/> 17.5" <input type="checkbox"/> 18.0"										
<input type="checkbox"/> 24"x2"(540)	<input type="checkbox"/> 15.5" <input type="checkbox"/> 16.0" <input type="checkbox"/> 16.5" <input type="checkbox"/> 17.0" <input type="checkbox"/> 17.5"	<input type="checkbox"/> 17.5" <input type="checkbox"/> 18.0" <input type="checkbox"/> 18.5"										
<input type="checkbox"/> 26"x1"(590)	<input type="checkbox"/> 15.5" <input type="checkbox"/> 16.0" <input type="checkbox"/> 16.5" <input type="checkbox"/> 17.0" <input type="checkbox"/> 17.5"	<input type="checkbox"/> 17.5" <input type="checkbox"/> 18.0" <input type="checkbox"/> 18.5" <input type="checkbox"/> 19.0"										
<input type="checkbox"/> 25"x1.95"(559)	<input type="checkbox"/> 16.0" <input type="checkbox"/> 16.5" <input type="checkbox"/> 17.0" <input type="checkbox"/> 17.5" <input type="checkbox"/> 17.5"	<input type="checkbox"/> 18.0" <input type="checkbox"/> 18.5" <input type="checkbox"/> 19.0"										
9. CENTER OF GRAVITY	<input type="checkbox"/> 1.0" <input type="checkbox"/> 1.5" <input type="checkbox"/> 2.0" <input type="checkbox"/> 2.5" <input type="checkbox"/> 3.0" <input type="checkbox"/> 3.5" <input type="checkbox"/> 4.0" <input type="checkbox"/> 4.5" <input type="checkbox"/> 5.0" <input type="checkbox"/> 5.5"		\$ STD									
Center of Gravity Ranges	Seat Depth	Your Center of Gravity										
	Frame	1"	1.5"	2.0"	2.5"	3.0"	3.5"	4.0"	4.5"	5.0"	5.5"	
	Short Frame	13"	<input type="checkbox"/>	<input checked="" type="checkbox"/> ★	<input checked="" type="checkbox"/> ★							
		14"	<input type="checkbox"/>	<input type="checkbox"/>	<input checked="" type="checkbox"/> ★	<input checked="" type="checkbox"/> ★						
	Long Frame	15"	<input type="checkbox"/>	<input type="checkbox"/>	<input type="checkbox"/>	<input checked="" type="checkbox"/> ★	<input checked="" type="checkbox"/> ★					
		16"	<input type="checkbox"/>	<input type="checkbox"/>	<input type="checkbox"/>	<input type="checkbox"/>	<input checked="" type="checkbox"/> ★	<input checked="" type="checkbox"/> ★				
		17"	<input checked="" type="checkbox"/> ☆	<input type="checkbox"/>	<input type="checkbox"/>	<input type="checkbox"/>	<input type="checkbox"/>	<input type="checkbox"/>	<input checked="" type="checkbox"/> ★	<input checked="" type="checkbox"/> ★		
		18"	<input checked="" type="checkbox"/> ☆	<input type="checkbox"/>	<input type="checkbox"/>	<input type="checkbox"/>	<input type="checkbox"/>	<input type="checkbox"/>	<input type="checkbox"/>	<input type="checkbox"/>	<input checked="" type="checkbox"/> ★	
		19"	<input checked="" type="checkbox"/> ☆	<input checked="" type="checkbox"/> ☆	<input type="checkbox"/>	<input type="checkbox"/>	<input type="checkbox"/>	<input type="checkbox"/>	<input type="checkbox"/>	<input type="checkbox"/>	<input type="checkbox"/>	
	☆=Not Available Scissor Wheel Lock ★=Excludes 24" x 2", 26" x 1", 25" x 1.95" tires are selected.											
10. CAMBER ANGLE	<input type="checkbox"/> Current Camber Angle (°) <input type="checkbox"/> Change Camber Angle <input type="checkbox"/> 2° <input type="checkbox"/> 4° <input type="checkbox"/> 6°		\$ STD \$ 85									
11. FRONT OF SEAT SLING TO FOOTREST	<input type="checkbox"/> 15.0" <input type="checkbox"/> 15.5" <input type="checkbox"/> 16.0" <input type="checkbox"/> 16.5" <input type="checkbox"/> 17.0" <input type="checkbox"/> 17.5" <input type="checkbox"/> 18.0" <input type="checkbox"/> 18.5" <input type="checkbox"/> 19.0" <input type="checkbox"/> 19.5"..... <small>*Measurement must be 2.0" shorter than your Front Seat Height</small>		\$ STD									
HIGH MOUNT	<input type="checkbox"/> w/Current Risers or Clamps <input type="checkbox"/> w/New 2" Risers or Clamps <input type="checkbox"/> 12.5" <input type="checkbox"/> 13.0" <input type="checkbox"/> 13.5" <input type="checkbox"/> 14.0" <input type="checkbox"/> 14.5" <input type="checkbox"/> 15.0" <input type="checkbox"/> w/New 5" Risers or Clamps <input type="checkbox"/> 9.0" <input type="checkbox"/> 9.5" <input type="checkbox"/> 10.0" <input type="checkbox"/> 10.5" <input type="checkbox"/> 11.0" <input type="checkbox"/> 11.5" <input type="checkbox"/> 12.0" <input type="checkbox"/> 12.5"..		\$ STD \$ 65 \$ 65									
12. INSIDE WHEEL CLEARANCE	<input type="checkbox"/> 3/4" ✱ <input type="checkbox"/> 1" ✱ <input type="checkbox"/> 1 1/4" <input type="checkbox"/> 1 1/2" <input type="checkbox"/> 1 3/4" <input type="checkbox"/> 2" <small>*3/4" and 1" Inside wheel clearance not available with 2 degree camber. *3/4" and 1" Inside wheel clearance not available with Armrest.</small>		\$ STD									
Sub Total Section B 1/2			\$									
Sub Total Section B 2/2			\$									
Total Section B			\$									

Custom Parts Color	Including : Backrest, Axle Tube, *Foot Plate, *Forks & Knurl Nuts,*Axle Plate <input type="checkbox"/> Powder Coated () ... <input checked="" type="checkbox"/> <u>w/New Parts Only</u> <input type="checkbox"/> Polished	\$ 125 \$ 250
NOTE		