

**SABER JR**

ORDER FORM  
Ver. 2.0 Rev-070113

Tel: 951-808-9131 FAX: 951-808-9949  
Toll Free: 800-892-8998 www.colourswheelchair.com

**GROWTH PROGRAM**

DEALER			COLOURS INFORMATION For Office Use Only		
Dealer:			Order Date: S/N:		
Account:		P.O.#:	<b>RTS</b>		
Ordered By:			RTS: Phone:		
Address:			Email:		
City:		State:	<b>SHIP TO</b>		
Phone:		Fax:	Name: Ship Via:		
Email:			Address:		
Customer Name:			City: State: Zip:		
Customer Weight:			Phone: Fax:		
CHAIR INFORMATION			PRICE		
SABER-JR E1235 Max. Capacity 250Lbs			GROWTH PROGRAM \$ 550		
<b>NOTE</b>			Swap Over Parts \$		
<b>Main Frame : ZK55 &amp; ZK60 High Grade A7000 Series Aluminum</b>			Total Section A \$		
<b>Main Frame : Lifetime Warranty *See warranty policy</b>			Total Section B \$		
			ORDER GRAND TOTAL \$		

This Growth Program was implemented by Colours to help assure that our youngest clients will continue to enjoy the maximum benefits from a custom fitted rigid wheelchair. All Colours products are designed to give the user maximum freedom in movement, and we know how especially important this is during the early years. The kit comes with all the parts needed to increase the dimensions of the wheelchair, including a new frame. To order your Growth Kit, please provide us with the following information:

Current Frame **SERIAL#**: \_\_\_\_\_

**SWAP OVER PARTS FROM CURRENT CHAIR**

<input type="checkbox"/> Swap Over by Colours *Flat Fee Labor Charge	\$ 200 + Shipping
--	----------------------

**A GROWTH PROGRAM**

**\*Growth Kit Includes :**  
Seat Sling, Backrest Tube, Axle Tube  
Stabilizer Bar · · ☆Marked Parts only  
Backrest Upholstery and Footrest Loop

\*Long Frame has 2 Stabilizer Bar

**● Backrest Upholstery**  
Choose your backrest style ↓

<input type="checkbox"/> STD Adj. Height (Black Color) ······	\$ STD
<input type="checkbox"/> STD Adj. Height w/Integrated push handle (Black Color) ······	\$ STD
<input type="checkbox"/> Adjustable Tension Backrest (Black Color) ······	\$ 135
<input type="checkbox"/> Adjustable Tension Backrest (Black Color) w/Integrated push handle (Black Color) ······	\$ 135
<input type="checkbox"/> Custom Colored <input type="checkbox"/> Red <input type="checkbox"/> Black ( <b>\$60 up charge</b> )	
<input type="checkbox"/> Fabrics for Fun - (# ) ( <b>\$95 up charge</b> )	
<input type="checkbox"/> Leather Trim ( <b>\$77 up charge</b> )	

---

**● Footrest Loop For New Chair Width** Choose your current footplate style ↓

STD Single Loop

Flip-Back Single Loop

Flip-Back Single Loop w/Double Bend Footrest Loop

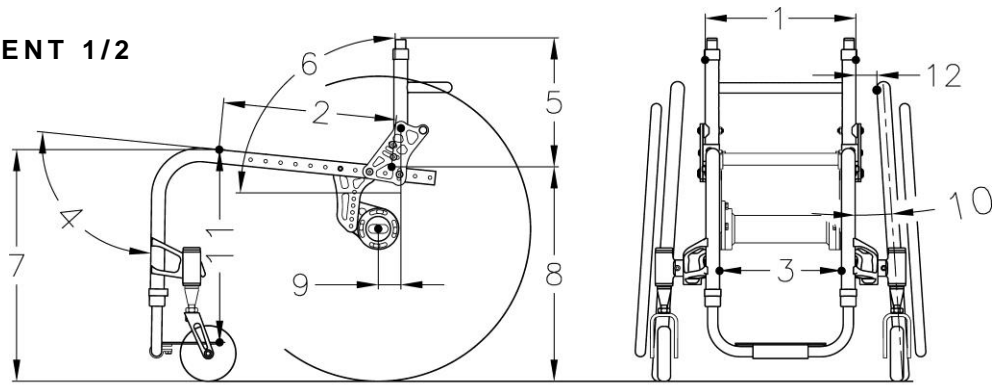
( \*Does Not Include Clamps, Hardware, or Foot Plate)

<input type="checkbox"/> w/ New Foot Plate	<input type="checkbox"/> W6.5"xD5"	<input type="checkbox"/> W8.5"xD6.5"	\$ 50
--	------------------------------------	--------------------------------------	-------

Your Seat Width	Foot Plate Size	Your Seat Width
10"-12"	W6.5"xD5"	10"-12"
13"-15"	W8.5"xD6.5"	13"-15"

**Total Section A \$**

**B MEASUREMENT 1/2**



<b>1. SEAT WIDTH</b>	<input type="checkbox"/> 10" <input type="checkbox"/> 11" <input type="checkbox"/> 12" <input type="checkbox"/> 13" <input type="checkbox"/> 14" <input type="checkbox"/> 15" .....	\$ STD
----------------------	---	--------

<b>2. SEAT DEPTH</b> <small>* Only Choose One Option</small>	<b>WITH CURRENT FRAME</b>		
	Please give us your current frame information	<input type="checkbox"/> <b>STD Frame</b> (13" Depth) Set at <input type="checkbox"/> 9" <input type="checkbox"/> 10" <input type="checkbox"/> 11" <input type="checkbox"/> 12" <input type="checkbox"/> 13"	\$ STD
		<input type="checkbox"/> <b>Long Frame</b> (16" Depth) Set at <input type="checkbox"/> 12" <input type="checkbox"/> 13" <input type="checkbox"/> 14" <input type="checkbox"/> 15" <input type="checkbox"/> 16"	\$ STD
	<b>WITH NEW FRAME</b>		
	Please choose your new frame length	<input type="checkbox"/> <b>STD Frame</b> (13" Depth) Set at <input type="checkbox"/> 9" <input type="checkbox"/> 10" <input type="checkbox"/> 11" <input type="checkbox"/> 12" <input type="checkbox"/> 13"	\$ 600
		<input type="checkbox"/> <b>Long Frame</b> (16" Depth) Set at <input type="checkbox"/> 12" <input type="checkbox"/> 13" <input type="checkbox"/> 14" <input type="checkbox"/> 15" <input type="checkbox"/> 16"	\$ 600
	Frame Color <input type="checkbox"/> Powder Coated ( )		
	<input type="checkbox"/> Polished ( <b>\$800 up charge</b> )		

<b>3. FOOTREST WIDTH</b>	<input type="checkbox"/> <b>STD</b> (Seat Width Minus 2", No Taper Frame only) .....	\$ STD
--------------------------	--	--------

<b>4. FRAME BEND ANGLE</b>	<input type="checkbox"/> <b>95° only</b> *No Custom Modifications .....	\$ STD																																																																																		
	<table border="1" style="margin: auto; border-collapse: collapse;"> <thead> <tr> <th colspan="2" rowspan="2"></th> <th colspan="8">FRAME ANGLE to the Ground</th> </tr> <tr> <th colspan="8">Your Seat Depth</th> </tr> <tr> <th rowspan="6" style="writing-mode: vertical-rl; transform: rotate(180deg);">Seat Bucket</th> <th>0"</th> <th>9"</th> <th>10"</th> <th>11"</th> <th>12"</th> <th>13"</th> <th>14"</th> <th>15"</th> <th>16"</th> </tr> </thead> <tbody> <tr> <td>95°</td> <td>95°</td> <td>95°</td> <td>95°</td> <td>95°</td> <td>95°</td> <td>95°</td> <td>95°</td> <td>95°</td> </tr> <tr> <td>1"</td> <td>89°</td> <td>89°</td> <td>90°</td> <td>90°</td> <td>91°</td> <td>91°</td> <td>91°</td> <td>91°</td> </tr> <tr> <td>2"</td> <td>82°</td> <td>83°</td> <td>85°</td> <td>85°</td> <td>86°</td> <td>87°</td> <td>87°</td> <td>88°</td> </tr> <tr> <td>3"</td> <td>76°</td> <td>78°</td> <td>79°</td> <td>81°</td> <td>82°</td> <td>83°</td> <td>83°</td> <td>84°</td> </tr> <tr> <td>4"</td> <td></td> <td></td> <td>74°</td> <td>76°</td> <td>77°</td> <td>78°</td> <td>80°</td> <td>81°</td> </tr> <tr> <td>5"</td> <td></td> <td></td> <td></td> <td>70°</td> <td>72°</td> <td>74°</td> <td>76°</td> <td>77°</td> </tr> </tbody> </table>			FRAME ANGLE to the Ground								Your Seat Depth								Seat Bucket	0"	9"	10"	11"	12"	13"	14"	15"	16"	95°	95°	95°	95°	95°	95°	95°	95°	95°	1"	89°	89°	90°	90°	91°	91°	91°	91°	2"	82°	83°	85°	85°	86°	87°	87°	88°	3"	76°	78°	79°	81°	82°	83°	83°	84°	4"			74°	76°	77°	78°	80°	81°	5"				70°	72°	74°	76°	77°	
				FRAME ANGLE to the Ground																																																																																
		Your Seat Depth																																																																																		
Seat Bucket	0"	9"	10"	11"	12"	13"	14"	15"	16"																																																																											
	95°	95°	95°	95°	95°	95°	95°	95°	95°																																																																											
	1"	89°	89°	90°	90°	91°	91°	91°	91°																																																																											
	2"	82°	83°	85°	85°	86°	87°	87°	88°																																																																											
	3"	76°	78°	79°	81°	82°	83°	83°	84°																																																																											
	4"			74°	76°	77°	78°	80°	81°																																																																											
5"				70°	72°	74°	76°	77°																																																																												

<b>5. BACKREST HEIGHT</b>	<input type="checkbox"/> <b>Current Backrest Height</b> ( ) .....	\$ STD												
	<input type="checkbox"/> <b>Change Backrest Height</b> .....													
	<table style="width:100%; text-align: center;"> <tr> <td></td> <td>Adj. Range</td> <td></td> <td>Adj. Range</td> <td></td> <td>Adj. Range</td> </tr> <tr> <td><input type="checkbox"/>8"</td> <td><input type="checkbox"/>9" <input type="checkbox"/>10" <input type="checkbox"/>11"</td> <td><input type="checkbox"/>12"</td> <td><input type="checkbox"/>13" <input type="checkbox"/>14" <input type="checkbox"/>15"</td> <td><input type="checkbox"/>16"</td> <td><input type="checkbox"/>17" <input type="checkbox"/>18"</td> </tr> </table>		Adj. Range		Adj. Range		Adj. Range	<input type="checkbox"/> 8"	<input type="checkbox"/> 9" <input type="checkbox"/> 10" <input type="checkbox"/> 11"	<input type="checkbox"/> 12"	<input type="checkbox"/> 13" <input type="checkbox"/> 14" <input type="checkbox"/> 15"	<input type="checkbox"/> 16"	<input type="checkbox"/> 17" <input type="checkbox"/> 18"	\$ 30
	Adj. Range		Adj. Range		Adj. Range									
<input type="checkbox"/> 8"	<input type="checkbox"/> 9" <input type="checkbox"/> 10" <input type="checkbox"/> 11"	<input type="checkbox"/> 12"	<input type="checkbox"/> 13" <input type="checkbox"/> 14" <input type="checkbox"/> 15"	<input type="checkbox"/> 16"	<input type="checkbox"/> 17" <input type="checkbox"/> 18"									

<b>6. BACKREST ANGLE</b>	Set at ( )° to the ground *STD 90° .....	\$ STD
--------------------------	--	--------

<b>7. FRONT SEAT HEIGHT</b>	Please give us your current casters information							
	<table style="width:100%;"> <tr> <td style="width:60%;">Current Front Seat Height ( )</td> <td style="width:40%;"></td> </tr> <tr> <td>Current Caster Size ( )</td> <td></td> </tr> <tr> <td>Current Caster Forks <input type="checkbox"/>STD <input type="checkbox"/>Springs <input type="checkbox"/>Frog Legs</td> <td></td> </tr> </table>	Current Front Seat Height ( )		Current Caster Size ( )		Current Caster Forks <input type="checkbox"/> STD <input type="checkbox"/> Springs <input type="checkbox"/> Frog Legs		
Current Front Seat Height ( )								
Current Caster Size ( )								
Current Caster Forks <input type="checkbox"/> STD <input type="checkbox"/> Springs <input type="checkbox"/> Frog Legs								

	<input type="checkbox"/> <b>Current Front Seat Height</b> ( ) .....	\$ STD
	or	
	<input type="checkbox"/> <b>New Front Seat Height</b> w/New Caster Stems or STD Forks .....	\$ 120

	<table border="1" style="margin: auto; border-collapse: collapse;"> <thead> <tr> <th colspan="2" rowspan="2"></th> <th colspan="8">Front Seat Height</th> </tr> <tr> <th>14.5"</th> <th>15.0"</th> <th>15.5"</th> <th>16.0"</th> <th>16.5"</th> <th>17.0"</th> <th>17.5"</th> <th>18.0"</th> <th>18.5"</th> </tr> </thead> <tbody> <tr> <td rowspan="8" style="writing-mode: vertical-rl; transform: rotate(180deg);">Your Casters &amp; Forks</td> <td>3" Caster &amp; STD Forks</td> <td><input type="checkbox"/>*</td> <td><input type="checkbox"/></td> <td><input type="checkbox"/></td> <td><input type="checkbox"/></td> <td><input type="checkbox"/></td> <td><input type="checkbox"/></td> <td><input type="checkbox"/></td> <td><input type="checkbox"/></td> <td><input type="checkbox"/></td> </tr> <tr> <td>3" Caster &amp; Springs</td> <td><input type="checkbox"/>*</td> <td><input type="checkbox"/></td> <td><input type="checkbox"/></td> <td><input type="checkbox"/></td> <td><input type="checkbox"/></td> <td><input type="checkbox"/></td> <td><input type="checkbox"/></td> <td><input type="checkbox"/></td> <td><input type="checkbox"/></td> </tr> <tr> <td>3" Caster &amp; Frog Legs</td> <td></td> <td></td> <td><input type="checkbox"/>*</td> <td><input type="checkbox"/>*</td> <td><input type="checkbox"/>*</td> <td><input type="checkbox"/>*</td> <td><input type="checkbox"/>*</td> <td></td> <td></td> </tr> <tr> <td>4" Caster &amp; STD Forks</td> <td><input type="checkbox"/>*</td> <td><input type="checkbox"/></td> <td><input type="checkbox"/></td> <td><input type="checkbox"/></td> <td><input type="checkbox"/></td> <td><input type="checkbox"/></td> <td><input type="checkbox"/></td> <td><input type="checkbox"/></td> <td><input type="checkbox"/></td> </tr> <tr> <td>4" Caster &amp; Springs</td> <td></td> <td></td> <td><input type="checkbox"/></td> <td><input type="checkbox"/></td> <td><input type="checkbox"/></td> <td><input type="checkbox"/></td> <td><input type="checkbox"/></td> <td><input type="checkbox"/></td> <td><input type="checkbox"/></td> </tr> <tr> <td>4" Caster &amp; Frog Legs</td> <td></td> <td></td> <td><input type="checkbox"/>*</td> <td><input type="checkbox"/>*</td> <td><input type="checkbox"/>*</td> <td><input type="checkbox"/>*</td> <td><input type="checkbox"/>*</td> <td><input type="checkbox"/>*</td> <td><input type="checkbox"/>*</td> </tr> <tr> <td>5" Caster &amp; STD Forks</td> <td></td> <td><input type="checkbox"/>*</td> <td><input type="checkbox"/>*</td> <td><input type="checkbox"/>*</td> <td><input type="checkbox"/></td> <td><input type="checkbox"/></td> <td><input type="checkbox"/></td> <td><input type="checkbox"/>*</td> <td><input type="checkbox"/>*</td> </tr> <tr> <td>5" Caster &amp; Springs</td> <td></td> <td></td> <td></td> <td><input type="checkbox"/>*</td> <td><input type="checkbox"/>*</td> <td><input type="checkbox"/>*</td> <td><input type="checkbox"/>*</td> <td><input type="checkbox"/>*</td> <td><input type="checkbox"/>*</td> </tr> <tr> <td>5" Caster &amp; Frog Legs</td> <td></td> <td></td> <td></td> <td></td> <td><input type="checkbox"/>*</td> <td><input type="checkbox"/>*</td> <td><input type="checkbox"/>*</td> <td><input type="checkbox"/>*</td> <td><input type="checkbox"/>*</td> </tr> </tbody> </table>			Front Seat Height								14.5"	15.0"	15.5"	16.0"	16.5"	17.0"	17.5"	18.0"	18.5"	Your Casters & Forks	3" Caster & STD Forks	<input type="checkbox"/> *	<input type="checkbox"/>	<input type="checkbox"/>	<input type="checkbox"/>	<input type="checkbox"/>	<input type="checkbox"/>	<input type="checkbox"/>	<input type="checkbox"/>	<input type="checkbox"/>	3" Caster & Springs	<input type="checkbox"/> *	<input type="checkbox"/>	<input type="checkbox"/>	<input type="checkbox"/>	<input type="checkbox"/>	<input type="checkbox"/>	<input type="checkbox"/>	<input type="checkbox"/>	<input type="checkbox"/>	3" Caster & Frog Legs			<input type="checkbox"/> *	<input type="checkbox"/> *	<input type="checkbox"/> *	<input type="checkbox"/> *	<input type="checkbox"/> *			4" Caster & STD Forks	<input type="checkbox"/> *	<input type="checkbox"/>	<input type="checkbox"/>	<input type="checkbox"/>	<input type="checkbox"/>	<input type="checkbox"/>	<input type="checkbox"/>	<input type="checkbox"/>	<input type="checkbox"/>	4" Caster & Springs			<input type="checkbox"/>	<input type="checkbox"/>	<input type="checkbox"/>	<input type="checkbox"/>	<input type="checkbox"/>	<input type="checkbox"/>	<input type="checkbox"/>	4" Caster & Frog Legs			<input type="checkbox"/> *	<input type="checkbox"/> *	<input type="checkbox"/> *	<input type="checkbox"/> *	<input type="checkbox"/> *	<input type="checkbox"/> *	<input type="checkbox"/> *	5" Caster & STD Forks		<input type="checkbox"/> *	<input type="checkbox"/> *	<input type="checkbox"/> *	<input type="checkbox"/>	<input type="checkbox"/>	<input type="checkbox"/>	<input type="checkbox"/> *	<input type="checkbox"/> *	5" Caster & Springs				<input type="checkbox"/> *	<input type="checkbox"/> *	<input type="checkbox"/> *	<input type="checkbox"/> *	<input type="checkbox"/> *	<input type="checkbox"/> *	5" Caster & Frog Legs					<input type="checkbox"/> *	<input type="checkbox"/> *	<input type="checkbox"/> *	<input type="checkbox"/> *	<input type="checkbox"/> *	
				Front Seat Height																																																																																																												
		14.5"	15.0"	15.5"	16.0"	16.5"	17.0"	17.5"	18.0"	18.5"																																																																																																						
Your Casters & Forks	3" Caster & STD Forks	<input type="checkbox"/> *	<input type="checkbox"/>	<input type="checkbox"/>	<input type="checkbox"/>	<input type="checkbox"/>	<input type="checkbox"/>	<input type="checkbox"/>	<input type="checkbox"/>	<input type="checkbox"/>																																																																																																						
	3" Caster & Springs	<input type="checkbox"/> *	<input type="checkbox"/>	<input type="checkbox"/>	<input type="checkbox"/>	<input type="checkbox"/>	<input type="checkbox"/>	<input type="checkbox"/>	<input type="checkbox"/>	<input type="checkbox"/>																																																																																																						
	3" Caster & Frog Legs			<input type="checkbox"/> *	<input type="checkbox"/> *	<input type="checkbox"/> *	<input type="checkbox"/> *	<input type="checkbox"/> *																																																																																																								
	4" Caster & STD Forks	<input type="checkbox"/> *	<input type="checkbox"/>	<input type="checkbox"/>	<input type="checkbox"/>	<input type="checkbox"/>	<input type="checkbox"/>	<input type="checkbox"/>	<input type="checkbox"/>	<input type="checkbox"/>																																																																																																						
	4" Caster & Springs			<input type="checkbox"/>	<input type="checkbox"/>	<input type="checkbox"/>	<input type="checkbox"/>	<input type="checkbox"/>	<input type="checkbox"/>	<input type="checkbox"/>																																																																																																						
	4" Caster & Frog Legs			<input type="checkbox"/> *	<input type="checkbox"/> *	<input type="checkbox"/> *	<input type="checkbox"/> *	<input type="checkbox"/> *	<input type="checkbox"/> *	<input type="checkbox"/> *																																																																																																						
	5" Caster & STD Forks		<input type="checkbox"/> *	<input type="checkbox"/> *	<input type="checkbox"/> *	<input type="checkbox"/>	<input type="checkbox"/>	<input type="checkbox"/>	<input type="checkbox"/> *	<input type="checkbox"/> *																																																																																																						
	5" Caster & Springs				<input type="checkbox"/> *	<input type="checkbox"/> *	<input type="checkbox"/> *	<input type="checkbox"/> *	<input type="checkbox"/> *	<input type="checkbox"/> *																																																																																																						
5" Caster & Frog Legs					<input type="checkbox"/> *	<input type="checkbox"/> *	<input type="checkbox"/> *	<input type="checkbox"/> *	<input type="checkbox"/> *																																																																																																							

Front Seat Height Ranges  
 \*=Not Available with Quick Release Caster Axle.

The front seat heights are effected by the size of your front caster.

**B** FRAME COLORS & MEASUREMENT 2/2

<b>8. REAR SEAT HEIGHT</b>	<p>★Please give us your  current tires &amp; Axle Plates information</p>	<input type="checkbox"/> 20"x1"(451) <input type="checkbox"/> 20"x1 3/8"(451) <input type="checkbox"/> 22"x1"(501) <input type="checkbox"/> 22"x1 3/8"(501)    (                          ) <input type="checkbox"/> Short Axle Plate <input type="checkbox"/> Long Axle Plate												
	↓													
	<input type="checkbox"/> <b>Current Rear Seat Height</b> (                          " ) .....		\$ STD											
	<input type="checkbox"/> <b>New Rear Seat Height</b> ..... <input type="checkbox"/> w/ <b>New Axle Plate</b> if you needed .....		\$ NCO \$ 75											
	<b>Rear Seat Height Ranges</b>													
		<b>Requires Short Axle Plate</b>	<b>Requires Long Axle Plate</b>											
<b>Your Tires</b>	<input type="checkbox"/> 20"x1"(451)	<input type="checkbox"/> 12.5" <input type="checkbox"/> 13.0" <input type="checkbox"/> 13.5" <input type="checkbox"/> 14.0" <input type="checkbox"/> 14.5"	<input type="checkbox"/> 14.5" <input type="checkbox"/> 15.0" <input type="checkbox"/> 15.5" <input type="checkbox"/> 16.0"											
	<input type="checkbox"/> 20"x1 3/8"(451)	<input type="checkbox"/> 13.0" <input type="checkbox"/> 13.5" <input type="checkbox"/> 14.0" <input type="checkbox"/> 14.5" <input type="checkbox"/> 15.0"	<input type="checkbox"/> 15.0" <input type="checkbox"/> 15.5" <input type="checkbox"/> 16.0" <input type="checkbox"/> 16.5"											
	<input type="checkbox"/> 22"x1"(501)	<input type="checkbox"/> 13.5" <input type="checkbox"/> 14.0" <input type="checkbox"/> 14.5" <input type="checkbox"/> 15.0" <input type="checkbox"/> 15.5"	<input type="checkbox"/> 15.5" <input type="checkbox"/> 16.0" <input type="checkbox"/> 16.5" <input type="checkbox"/> 17.0"											
	<input type="checkbox"/> 22"x1 3/8"(501)	<input type="checkbox"/> 14.0" <input type="checkbox"/> 14.5" <input type="checkbox"/> 15.0" <input type="checkbox"/> 15.5" <input type="checkbox"/> 16.0"	<input type="checkbox"/> 16.0" <input type="checkbox"/> 16.5" <input type="checkbox"/> 17.0" <input type="checkbox"/> 17.5"											
<b>9. CENTER OF GRAVITY</b>	<input type="checkbox"/> -1.5" <input type="checkbox"/> -1.0" <input type="checkbox"/> -0.5" <input type="checkbox"/> 0" <input type="checkbox"/> 0.5" <input type="checkbox"/> 1.0" <input type="checkbox"/> 1.5" <input type="checkbox"/> 2.0" <input type="checkbox"/> 2.5" <input type="checkbox"/> 3.0" <input type="checkbox"/> 3.5"			\$ STD										
Center of Gravity Ranges	<b>Seat Depth</b>	<b>Your Center of Gravity</b>												
	<b>Frame</b>		-1.5"	-1.0"	-0.5"	0"	0.5"	1.0"	1.5"	2.0"	2.5"	3.0"	3.5"	
	<b>STD Frame</b>	9"	20" wheel <input type="checkbox"/>	22" wheel <input type="checkbox"/>	20" wheel <input type="checkbox"/>	22" wheel <input type="checkbox"/>	20" wheel <input type="checkbox"/>	22" wheel <input type="checkbox"/>	20" wheel <input type="checkbox"/>	22" wheel <input type="checkbox"/>	20" wheel <input type="checkbox"/>	22" wheel <input type="checkbox"/>	20" wheel <input type="checkbox"/>	22" wheel <input type="checkbox"/>
	<b>Long Frame</b>	10"	20" wheel <input type="checkbox"/>	22" wheel <input type="checkbox"/>	20" wheel <input type="checkbox"/>	22" wheel <input type="checkbox"/>	20" wheel <input type="checkbox"/>	22" wheel <input type="checkbox"/>	20" wheel <input type="checkbox"/>	22" wheel <input type="checkbox"/>	20" wheel <input type="checkbox"/>	22" wheel <input type="checkbox"/>	20" wheel <input type="checkbox"/>	22" wheel <input type="checkbox"/>
		11"	20" wheel <input type="checkbox"/>	22" wheel <input type="checkbox"/>	20" wheel <input type="checkbox"/>	22" wheel <input type="checkbox"/>	20" wheel <input type="checkbox"/>	22" wheel <input type="checkbox"/>	20" wheel <input type="checkbox"/>	22" wheel <input type="checkbox"/>	20" wheel <input type="checkbox"/>	22" wheel <input type="checkbox"/>	20" wheel <input type="checkbox"/>	22" wheel <input type="checkbox"/>
		12"	20" wheel <input type="checkbox"/>	22" wheel <input type="checkbox"/>	20" wheel <input type="checkbox"/>	22" wheel <input type="checkbox"/>	20" wheel <input type="checkbox"/>	22" wheel <input type="checkbox"/>	20" wheel <input type="checkbox"/>	22" wheel <input type="checkbox"/>	20" wheel <input type="checkbox"/>	22" wheel <input type="checkbox"/>	20" wheel <input type="checkbox"/>	22" wheel <input type="checkbox"/>
		13"	20" wheel <input type="checkbox"/>	22" wheel <input type="checkbox"/>	20" wheel <input type="checkbox"/>	22" wheel <input type="checkbox"/>	20" wheel <input type="checkbox"/>	22" wheel <input type="checkbox"/>	20" wheel <input type="checkbox"/>	22" wheel <input type="checkbox"/>	20" wheel <input type="checkbox"/>	22" wheel <input type="checkbox"/>	20" wheel <input type="checkbox"/>	22" wheel <input type="checkbox"/>
		14"	20" wheel <input type="checkbox"/>	22" wheel <input type="checkbox"/>	20" wheel <input type="checkbox"/>	22" wheel <input type="checkbox"/>	20" wheel <input type="checkbox"/>	22" wheel <input type="checkbox"/>	20" wheel <input type="checkbox"/>	22" wheel <input type="checkbox"/>	20" wheel <input type="checkbox"/>	22" wheel <input type="checkbox"/>	20" wheel <input type="checkbox"/>	22" wheel <input type="checkbox"/>
		15"	20" wheel <input type="checkbox"/>	22" wheel <input type="checkbox"/>	20" wheel <input type="checkbox"/>	22" wheel <input type="checkbox"/>	20" wheel <input type="checkbox"/>	22" wheel <input type="checkbox"/>	20" wheel <input type="checkbox"/>	22" wheel <input type="checkbox"/>	20" wheel <input type="checkbox"/>	22" wheel <input type="checkbox"/>	20" wheel <input type="checkbox"/>	22" wheel <input type="checkbox"/>
		16"	20" wheel <input type="checkbox"/>	22" wheel <input type="checkbox"/>	20" wheel <input type="checkbox"/>	22" wheel <input type="checkbox"/>	20" wheel <input type="checkbox"/>	22" wheel <input type="checkbox"/>	20" wheel <input type="checkbox"/>	22" wheel <input type="checkbox"/>	20" wheel <input type="checkbox"/>	22" wheel <input type="checkbox"/>	20" wheel <input type="checkbox"/>	22" wheel <input type="checkbox"/>
<b>10. CAMBER ANGLE</b>	<input type="checkbox"/> <b>Current Camber Angle</b> (                          ° ) ..... <input type="checkbox"/> <b>Change Camber Angle</b> <input type="checkbox"/> 2° <input type="checkbox"/> 4° .....			\$ STD \$ 85										
<b>11. FRONT OF SEAT SLING TO FOOTREST</b>	<input type="checkbox"/> 12.0" <input type="checkbox"/> 12.5" <input type="checkbox"/> 13.0" <input type="checkbox"/> 13.5" <input type="checkbox"/> 14.0" <input type="checkbox"/> 14.5" <input type="checkbox"/> 15.0" <input type="checkbox"/> 15.5" <input type="checkbox"/> 16.0" <input type="checkbox"/> 16.5"..... <small>*Measurement must be 2.0" shorter than your Front Seat Height</small>			\$ STD										
<b>HIGH MOUNT</b>	<input type="checkbox"/> w/ <b>Current Risers or Clamps</b> ..... <input type="checkbox"/> w/ <b>New 2" Risers or Clamps</b> <input type="checkbox"/> 9.5" <input type="checkbox"/> 10.0" <input type="checkbox"/> 10.5" <input type="checkbox"/> 11.0" <input type="checkbox"/> 11.5" <input type="checkbox"/> 12.0" ..... <input type="checkbox"/> w/ <b>New 5" Risers or Clamps</b> <input type="checkbox"/> 6.0" <input type="checkbox"/> 6.5" <input type="checkbox"/> 7.0" <input type="checkbox"/> 7.5" <input type="checkbox"/> 8.0" <input type="checkbox"/> 8.5" <input type="checkbox"/> 9.0" <input type="checkbox"/> 9.5"			\$ STD \$ 65 \$ 65										
<b>12. INSIDE WHEEL CLEARANCE</b>	<input type="checkbox"/> 3/4" * <input type="checkbox"/> 1" * <input type="checkbox"/> 1 1/4" <input type="checkbox"/> 1 1/2" <input type="checkbox"/> 1 3/4" <input type="checkbox"/> 2" ..... <small>*3/4" and 1" Inside wheel clearance not available with 2 degree camber.            *3/4" and 1" Inside wheel clearance not available with Armrest.</small>			\$ STD										
	Sub Total Section B 1/2    \$													
	Sub Total Section B 2/2    \$													
	<b>Total Section B    \$</b>													

<b>Custom Parts Color</b>	Including : Backrest, Axle Tube, *Foot Plate, *Forks & Knurl Nuts, *Axle Plate *w/ <u>New Parts Only</u>	<input type="checkbox"/> Powder Coated (                          ) ..... <input type="checkbox"/> Polished .....	\$ 125 \$ 250
<b>NOTE</b>			