

CHUMP - G

ORDER FORM
Ver. 2.0 Rev-070113

Tel: 951-808-9131 FAX: 951-808-9949
Toll Free: 800-892-8998 www.colourswheelchair.com

GROWTH PROGRAM

DEALER			COLOURS INFORMATION For Office Use Only		
Dealer:			Order Date: S/N:		
Account:		P.O.#:	RTS		
Ordered By:			RTS: Phone:		
Address:			Email:		
City:		State:	SHIP TO		
Phone:		Fax:	Name: Ship Via:		
Email:			Address:		
Customer Name:			City: State: Zip:		
Customer Weight:			Phone: Fax:		
CHAIR INFORMATION			PRICE		
CHUMP-G E1235 Max. Capacity 250Lbs			GROWTH PROGRAM \$ 550		
NOTE			Swap Over Parts \$		
<u>Main Frame : ZK55 & ZK60 High Grade A7000 Series Aluminum</u>			Total Section A \$		
<u>Main Frame : Lifetime Warranty *See warranty policy</u>			Total Section B \$		
			ORDER GRAND TOTAL \$		

This Growth Program was implemented by Colours to help assure that our youngest clients will continue to enjoy the maximum benefits from a custom fitted rigid wheelchair. All Colours products are designed to give the user maximum freedom in movement, and we know how especially important this is during the early years. The kit comes with all the parts needed to increase the dimensions of the wheelchair, including a new frame. To order your Growth Kit, please provide us with the following information:

Current Frame **SERIAL#**: _____

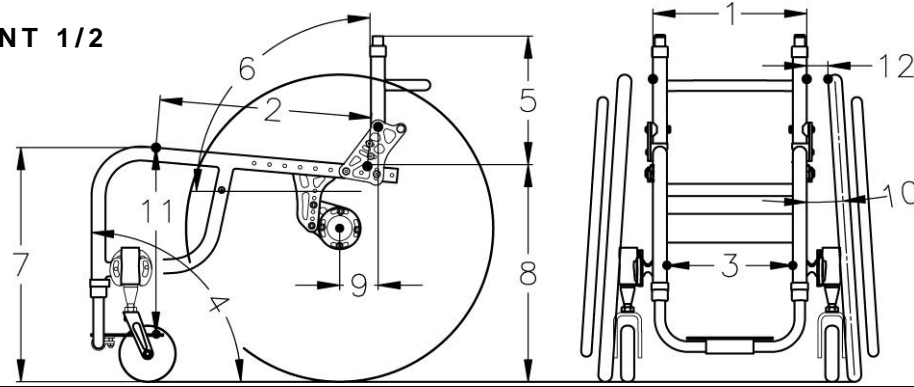
SWAP OVER PARTS FROM CURRENT CHAIR

<input type="checkbox"/> Swap Over by Colours *Flat Fee Labor Charge	\$ 200 + Shipping
--	----------------------

A GROWTH PROGRAM

<p>*Growth Kit Includes : Seat Sling, Backrest Tube, Axle Tube Stabilizer Bar · · ☆Marked Parts only Backrest Upholstery and Footrest Loop</p> <p>*Long Frame has 2 Stabilizer Bar</p>		<p>● Backrest Upholstery Choose your backrest style ↓</p> <table border="0"> <tr> <td><input type="checkbox"/> STD Adj. Height (Black Color) · · · · ·</td> <td style="text-align: right;">\$ STD</td> </tr> <tr> <td><input type="checkbox"/> STD Adj. Height w/Integrated push handle (Black Color) · · · · ·</td> <td style="text-align: right;">\$ STD</td> </tr> <tr> <td><input type="checkbox"/> Adjustable Tension Backrest (Black Color) · · · · ·</td> <td style="text-align: right;">\$ 135</td> </tr> <tr> <td><input type="checkbox"/> Adjustable Tension Backrest (Black Color) w/Integrated push handle (Black Color) · · · · ·</td> <td style="text-align: right;">\$ 135</td> </tr> <tr> <td colspan="2"> <input type="checkbox"/> Custom Colored <input type="checkbox"/> Red <input type="checkbox"/> Black (\$60 up charge) <input type="checkbox"/> Fabrics for Fun - (#) (\$95 up charge) <input type="checkbox"/> Leather Trim (\$77 up charge) </td> </tr> </table>	<input type="checkbox"/> STD Adj. Height (Black Color) · · · · ·	\$ STD	<input type="checkbox"/> STD Adj. Height w/Integrated push handle (Black Color) · · · · ·	\$ STD	<input type="checkbox"/> Adjustable Tension Backrest (Black Color) · · · · ·	\$ 135	<input type="checkbox"/> Adjustable Tension Backrest (Black Color) w/Integrated push handle (Black Color) · · · · ·	\$ 135	<input type="checkbox"/> Custom Colored <input type="checkbox"/> Red <input type="checkbox"/> Black (\$60 up charge) <input type="checkbox"/> Fabrics for Fun - (#) (\$95 up charge) <input type="checkbox"/> Leather Trim (\$77 up charge)	
<input type="checkbox"/> STD Adj. Height (Black Color) · · · · ·	\$ STD											
<input type="checkbox"/> STD Adj. Height w/Integrated push handle (Black Color) · · · · ·	\$ STD											
<input type="checkbox"/> Adjustable Tension Backrest (Black Color) · · · · ·	\$ 135											
<input type="checkbox"/> Adjustable Tension Backrest (Black Color) w/Integrated push handle (Black Color) · · · · ·	\$ 135											
<input type="checkbox"/> Custom Colored <input type="checkbox"/> Red <input type="checkbox"/> Black (\$60 up charge) <input type="checkbox"/> Fabrics for Fun - (#) (\$95 up charge) <input type="checkbox"/> Leather Trim (\$77 up charge)												
<p>● Footrest Loop For New Chair Width Choose your current footplate style ↓</p> <table border="0"> <tr> <td><input type="checkbox"/> STD Single Loop</td> <td><input type="checkbox"/> Flip-Back Single Loop</td> <td><input type="checkbox"/> Flip-Back Single Loop w/Double Bend Footrest Loop</td> </tr> </table> <p>(*Does Not Include Clamps, Hardware, or Foot Plate)</p> <table border="0"> <tr> <td><input type="checkbox"/> w/ New Foot Plate</td> <td><input type="checkbox"/> W6.5"xD5"</td> <td><input type="checkbox"/> W8.5"xD6.5"</td> <td style="text-align: right;">\$ 50</td> </tr> </table>		<input type="checkbox"/> STD Single Loop	<input type="checkbox"/> Flip-Back Single Loop	<input type="checkbox"/> Flip-Back Single Loop w/Double Bend Footrest Loop	<input type="checkbox"/> w/ New Foot Plate	<input type="checkbox"/> W6.5"xD5"	<input type="checkbox"/> W8.5"xD6.5"	\$ 50				
<input type="checkbox"/> STD Single Loop	<input type="checkbox"/> Flip-Back Single Loop	<input type="checkbox"/> Flip-Back Single Loop w/Double Bend Footrest Loop										
<input type="checkbox"/> w/ New Foot Plate	<input type="checkbox"/> W6.5"xD5"	<input type="checkbox"/> W8.5"xD6.5"	\$ 50									
<table border="1"> <thead> <tr> <th>Your Seat Width</th> <th>Foot Plate Size</th> </tr> </thead> <tbody> <tr> <td>10"-12"</td> <td>W6.5"xD5"</td> </tr> <tr> <td>13"-15"</td> <td>W8.5"xD6.5"</td> </tr> </tbody> </table>		Your Seat Width	Foot Plate Size	10"-12"	W6.5"xD5"	13"-15"	W8.5"xD6.5"					
Your Seat Width	Foot Plate Size											
10"-12"	W6.5"xD5"											
13"-15"	W8.5"xD6.5"											
Total Section A \$												

B MEASUREMENT 1/2



1. SEAT WIDTH 10" 11" 12" 13" 14" 15" \$ STD

2. SEAT DEPTH
* Only Choose One Option

WITH CURRENT FRAME

Please give us your current frame information Short Frame (12" Depth) Set at 10" 11" 12" \$ STD

STD Frame (15" Depth) Set at 12" 13" 14" 15" \$ STD

WITH NEW FRAME

Please choose your new frame length Short Frame (12" Depth) Set at 10 11" 12" \$ 450

STD Frame (15" Depth) Set at 12 13" 14" 15" \$ 450

Frame Color Powder Coated () Polished (\$800 up charge)

3. FOOTREST WIDTH STD (Seat Width Minus 2", No Taper Frame only) \$ STD

4. FRAME BEND ANGLE 95° only *No Custom Modifications \$ STD

		Your Seat Depth							
		9"	10"	11"	12"	13"	14"	15"	16"
Seat Bucket	0"	95°	95°	95°	95°	95°	95°	95°	95°
	1"	89°	89°	90°	90°	91°	91°	91°	91°
	2"	82°	83°	85°	85°	86°	87°	87°	88°
	3"	76°	78°	79°	81°	82°	83°	83°	84°
	4"			74°	76°	77°	78°	80°	81°
5"				70°	72°	74°	76°	77°	

5. BACKREST HEIGHT Current Backrest Height (") \$ STD

Change Backrest Height \$ 30

8" 9" 10" 11" 12" 13" 14" 15" 16" 17" 18"

6. BACKREST ANGLE Set at (°) to the ground *STD 90° \$ STD

7. FRONT SEAT HEIGHT Please give us your current casters information Current Front Seat Height (")

Current Caster Size (")

Current Caster Forks STD Springs Frog Legs

Current Front Seat Height (") \$ STD

or

New Front Seat Height w/New Caster Stems or STD Forks \$ 120

14.5" 15.0" 15.5" 16.0" 16.5" 17.0" 17.5" 18.0" 18.5"

Front Seat Height Ranges
* = Not Available with Quick Release Caster Axle.

The front seat heights are effected by the size of your front caster.

		Front Seat Height								
		14.5"	15.0"	15.5"	16.0"	16.5"	17.0"	17.5"	18.0"	18.5"
Your Casters & Forks	3" Caster & STD Forks	<input type="checkbox"/> *	<input type="checkbox"/> *	<input type="checkbox"/>	<input type="checkbox"/>	<input type="checkbox"/>	<input type="checkbox"/>	<input type="checkbox"/>		
	3" Caster & Springs			<input type="checkbox"/>	<input type="checkbox"/>	<input type="checkbox"/>	<input type="checkbox"/>	<input type="checkbox"/>		
	3" Caster & Frog Legs				<input type="checkbox"/> *	<input type="checkbox"/> *	<input type="checkbox"/> *	<input type="checkbox"/> *	<input type="checkbox"/> *	
	4" Caster & STD Forks			<input type="checkbox"/>	<input type="checkbox"/>	<input type="checkbox"/>	<input type="checkbox"/>	<input type="checkbox"/>		
	4" Caster & Springs				<input type="checkbox"/>	<input type="checkbox"/>	<input type="checkbox"/>	<input type="checkbox"/>	<input type="checkbox"/>	
	4" Caster & Frog Legs				<input type="checkbox"/> *	<input type="checkbox"/> *	<input type="checkbox"/> *	<input type="checkbox"/> *	<input type="checkbox"/> *	<input type="checkbox"/> *
	5" Caster & STD Forks					<input type="checkbox"/> *	<input type="checkbox"/>	<input type="checkbox"/>	<input type="checkbox"/>	<input type="checkbox"/> *
	5" Caster & Springs					<input type="checkbox"/> *	<input type="checkbox"/> *	<input type="checkbox"/> *	<input type="checkbox"/> *	<input type="checkbox"/> *
5" Caster & Frog Legs						<input type="checkbox"/> *	<input type="checkbox"/> *	<input type="checkbox"/> *	<input type="checkbox"/> *	

